

▶ KWK884520M  
KWE884520M  
KWK884520B  
KWK884520T

EN	<b>User Manual</b> Wine Cellar	2
FR	<b>Manuel Utilisateur</b> Cave à vin	16
DE	<b>Bedienungsanleitung</b> Weinkeller	30
IT	<b>Manuale dell'utente</b> Cantina per vini	44

# USER MANUAL



**AEG**

# CONTENTS

1. SAFETY INFORMATION .....	3
2. SAFETY INSTRUCTIONS .....	5
3. PRODUCT DESCRIPTION .....	7
4. CONTROL PANEL .....	8
5. USE .....	9
6. HINTS AND TIPS.....	11
7. INSTALLATION .....	12
8. CARE AND MAINTENANCE .....	13
9. TROUBLE SHOOTING GUIDE .....	14
10. TECHNICAL INFORMATION .....	15
11. INFORMATION FOR TEST INSTITUTES .....	15
12. ENVIRONMENTAL CONCERNS .....	15

## FOR PERFECT RESULTS

Thank you for choosing this AEG product. We have created it to give you impeccable performance for many years, with innovative technologies that help make life simpler – features you might not find on ordinary appliances. Please spend a few minutes reading to get the very best from it.

Visit our website for:



Get usage advice, brochures, trouble shooter, service information:  
**[www.aeg.com](http://www.aeg.com)**



Register your product for better service:  
**[www.registeraeg.com](http://www.registeraeg.com)**



Buy Accessories, Consumables and Original spare parts for your appliance:  
**[www.aeg.com/shop](http://www.aeg.com/shop)**

## CUSTOMER CARE AND SERVICE

We recommend the use of original spare parts.

When contacting Service, ensure that you have the following data available.

The information can be found on the rating plate. Model, PNC, Serial Number.



Warning / Caution-Safety information.



General information and tips.



Environmental information.

Subject to change without notice.

# 1. SAFETY INFORMATION

Before the installation and use of the appliance, carefully read the supplied instructions. The manufacturer is not responsible if an incorrect installation and use causes injuries and damages. Always keep the instructions with the appliance for future reference.

## 1.1 Children and vulnerable people safety

- This appliance can be used by children aged from 8 years and above and persons with reduced physical, sensory or mental capabilities or lack of experience and knowledge if they have been given supervision or instruction concerning use of the appliance in a safe way and understand the hazards involved.
- This appliance may be used by children between 3 and 8 years of age and persons with very extensive and complex disabilities, if they have been properly instructed.
- Children of less than 3 years of age should be kept away from the appliance unless continuously supervised.
- Do not let children play with the appliance.
- Children shall not carry out cleaning and user maintenance of the appliance without supervision.
- Keep all packaging away from children and dispose of it appropriately.

## 1.2 General Safety

- This appliance is intended to be used in household and similar applications such as:
  - Farm houses; staff kitchen areas in shops, offices and other working environments
  - By clients in hotels, motels, bed and breakfast and other residential type environments
- Use this appliance for storage of wine only.
- **WARNING:** Keep ventilation openings, in the appliance enclosure or in the built-in structure, clear of obstruction.


- **WARNING:** Do not use mechanical devices or other means to accelerate the defrosting process, other than those recommended by the manufacturer.
- **WARNING:** Do not damage the refrigerant circuit.
- **WARNING:** Do not use electrical appliances inside the food storage compartments of the appliance, unless they are of the type recommended by the manufacturer.
- Do not use water spray and steam to clean the appliance.
- Clean the appliance with a moist soft cloth. Only use neutral detergents. Do not use abrasive products, abrasive cleaning pads, solvents or metal objects.
- Do not store explosive substances such as aerosol cans with a flammable propellant in this appliance.
- If the supply cord is damaged, it must be replaced by the manufacturer, its service agent or similarly qualified persons in order to avoid a hazard.
- This appliance is not intended for professional and commercial use

## 2. SAFETY INSTRUCTIONS

### 2.1 Service

- To repair the appliance contact an Authorised Service Centre. Use original spare parts only.
- Please note that self-repair or non-professional repair can have safety consequences and might void the guarantee.
- The following spare parts will be available for 7 years after the model has been discontinued: thermostats, temperature sensors, printed circuit boards, light sources, door handles, door hinges, trays and baskets. Please note that some of these spare parts are only available to professional repairers, and that not all spare parts are relevant for all models.
- Door gaskets will be available for 10 years after the model has been discontinued.

### 2.2 Installation

 **WARNING!** Only a qualified person must install this appliance.

- Remove all the packaging.
- Do not install or use a damaged appliance.
- Obey the installation instruction supplied with the appliance.
- Always be careful when you move the appliance because it is heavy. Always wear safety gloves.
- Make sure the air can circulate around the appliance.
- Wait at least 4 hours before connecting the appliance to the power supply. This is to allow the oil to flow back in the compressor.
- Do not install the appliance close to radiators or cookers, oven or hobs.
- The rear of the appliance must stand against the wall.
- Do not install the appliance where there is direct sunlight.
- Do not install this appliance in areas that are too humid or too colds, such as the construction appendices, garages or wine cellars.
- When you move the appliance, lift it by the front edge to avoid scratching the floor.

### 2.3 Electrical connection



**WARNING!** Risk of fire and electrical shock.



**WARNING!** When positioning the appliance, ensure the supply cord is not trapped or damaged.



**WARNING!** Do not use multi-plug adapters and extension cables.

- The appliance must be earthed.
- All electrical connections should be made by a qualified electrician.
- Make sure that the electrical information on the rating plate agrees with the power supply. If not, contact an electrician.
- Always use a correctly installed shock-proof socket.
- Do not use multi-plug adapters and extension cables.
- Make sure not to cause damage to the electrical components (e.g. mains plug, mains cable, compressor). Contact the Service or an electrician to change the electrical components.
- The mains cable must stay below the level of the mains plug.
- Connect the mains plug to the mains socket only at the end of the installation. Make sure that there is access to the mains plug after the installation.
- Do not pull the mains cable to disconnect the appliance. Always pull the mains plug.
- When positioning the appliance, ensure the supply cord is not trapped or damaged.
- Do not locate multiple portable socketoutlets or portable power supplies at the rear of the appliance.

## 2.4 Use



**WARNING!** Risk of injury, burns, electrical shock or fire.



The appliance contains flammable gas, isobutane (R600a), a natural gas with a high level of environmental compatibility. Be careful not to cause damage to the refrigerant circuit containing isobutane.

- Do not change the specification of this appliance.
- Do not put electrical appliances (e.g. ice cream makers) in the appliance unless they are stated applicable by the manufacturer.
- If damage occurs to the refrigerant circuit, make sure that there are no flames and sources of ignition in the room. Ventilate the room.
- Do not let hot items to touch the plastic parts of the appliance.
- Do not put soft drinks in the freezer compartment. This will create pressure on the drink container.
- Do not store flammable gas and liquid in the appliance.
- Do not put flammable products or items that are wet with flammable products in, near or on the appliance.
- Do not touch the compressor or the condenser. They are hot.

## 2.5 Internal light



**WARNING!** Risk of electric shock

- Concerning the lamp(s) inside this product and spare part lamps sold separately: These lamps are intended to withstand extreme physical conditions in household appliances, such as temperature, vibration, humidity, or are intended to signal information about the operational status of the appliance. They are not intended to be used in other applications and are not suitable for household room illumination.

## 2.6 Care and cleaning



**WARNING!** Risk of injury or damage to the appliance.

- Before maintenance, deactivate the appliance and disconnect the mains plug from the mains socket.
- This appliance contains hydrocarbons in the cooling unit. Only a qualified person must do the maintenance and the recharging of the unit.
- Regularly examine the drain of the appliance and if necessary, clean it. If the drain is blocked, defrosted water collects in the bottom of the appliance.
- Dusts behind the wine cellar and on the ground shall be timely cleaned to improve the cooling effect and energy saving.
- The interior of the wine cellar should be cleaned regularly to avoid odor.
- Check the door gasket regularly to make sure there are no debris.
- Please turn off the power before cleaning, remove all food, shelves, drawers, etc.
- Clean the door gasket with mild soap and water.
- Use a soft cloth or sponge to clean the inside of the wine cellar, with two tablespoons of baking soda and a quart of warm water. Then rinse with water and wipe clean, and open the door and dry it naturally before the power is turned on.
- For areas that are difficult to clean in the wine cellar (such as narrow sandwiches, gaps or corners), it is recommended to wipe them regularly with a soft rag, soft brush, etc. and when necessary, combined with some auxiliary tools (such as thin sticks) to ensure no contaminant accumulation in these areas.
- Do not use soap, detergent, scrub powder, spray cleaner, etc., as these may cause odors in the interior of the wine cellar.
- Clean the bottle frame, shelves and drawers with a mild detergent and dry with a soft cloth.

- Wipe the outer surface of the wine cellar with a soft cloth dampened with soapy water, detergent, etc., and then wipe dry.
- Do not use hard brushes, clean steel-balls, wire brushes, abrasives, such as toothpastes, organic solvents (such as alcohol, acetone, banana oil, etc.), boiling water, acid or alkaline items clean wine cellar considering that this may damage the fridge surface and interior. Boiling water and benzene may deform or damage plastic parts.
- Do not rinse with water so as not to affect the electrical insulation properties.

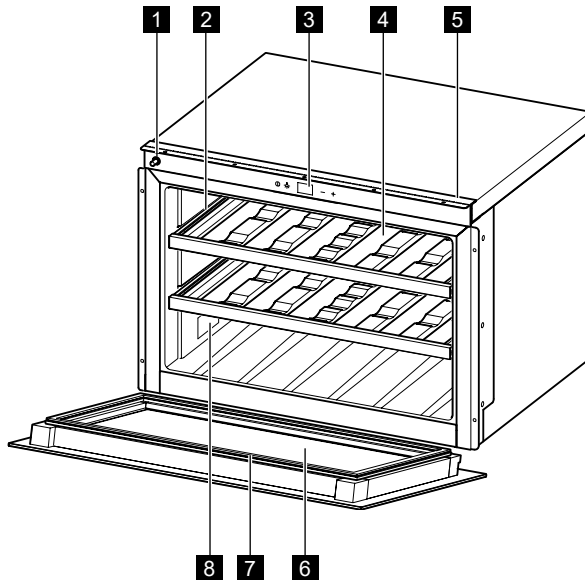
## 2.7 Disposal



**WARNING!** Risk of injury or suffocation.

- Disconnect the appliance from the mains supply.
- Cut off the mains cable and discard it.
- Remove the lid to prevent children and pets to be closed inside of the appliance.
- The refrigerant circuit and the insulation materials of this appliance are ozone-friendly.
- The insulation foam contains flammable gas. Contact your municipal authority for information on how to discard the appliance correctly.
- Do not cause damage to the part of the cooling unit that is near the heat exchanger.

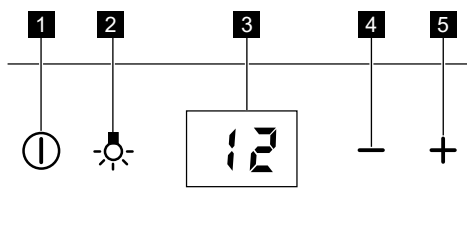
## 3. PRODUCT DESCRIPTION



- 1** Door Release Mechanism
- 2** Telescopic runners
- 3** Control panel
- 4** Shelves

- 5** Fastening bar
- 6** Door
- 7** Gasket
- 8** Rating plate

## 4. CONTROL PANEL



- 1** ON/OFF key
- 2** Light key
- 3** Display

- 4** Temperature colder key
- 5** Temperature warmer key

### 4.1 On/Off switch and temperature setting

To switch on the appliance press the ON/OFF key.

The display shows the set default temperature (12°C).

The temperature can be adjusted from 5° to 20°C (with steps of 1°C) by touching the +/- key.

To switch off the appliance press the ON/OFF key for 5 seconds.

### 4.2 Light Key

When the door is opened, the LED light is on, when closed is off. If you want to keep the light on with the door closed, open the door, and press the light key.

If you want to restore the standard conditions, press the light key again.

### 4.3 Display

The display shows the temperature set, the error messages, if the demo mode is selected, if the keys are locked.

### 4.4 Lock keys mode

Press the + key and the light key for 3 seconds to activate the lock keys mode.

The appliance will continue to work with the last settings.

To deactivate the lock keys mode, do the same procedure.

By selecting this function, the message "bl" appears on display touching any key.

### 4.5 Demo Mode

DEMO MODE has been created for exhibitions and showroom purposes.

The display will be ON with possibility to change the temperatures but the Cooling motor will be OFF.

To activate or deactivate the DEMO MODE, Press + and – simultaneously for 3 seconds.

Display will show the ON for 5 seconds, then the temperature will be showed again.

It is possible to keep the inner led light turned ON also when the door is closed.


Press the Light key to activate the light ON mode.



## 5. USE

### 5.1 Daily Use

**i** This appliance is intended to be used exclusively for the storage of wine

**i** Wine storage compartment is the one marked (on rating plate) with 

#### Cleaning

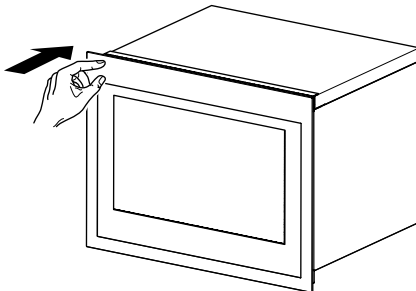
Before using the appliance for the first time, wash the interior and all internal accessories with lukewarm water and some neutral soap in order to remove the typical smell of a brand-new product, then dry thoroughly.

- Opening the door for long periods can cause a significant increase of the temperature in the compartments of the appliance.
- Clean regularly surfaces that can come in contact with food and accessible drainage systems.
- Store raw meat and fish in suitable containers in the wine cellar, so that it is not in contact with or drip onto other food.
- If the refrigerating appliance is left empty for long periods, switch off, defrost, clean, dry, and leave the door open to prevent mould developing within the appliance.

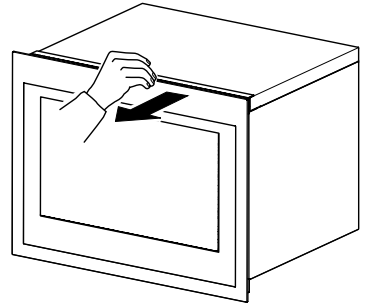
### 5.2 Door Opening

To open the door:

- push in the left side of the door panel, to open the door



- or pull it



### 5.3 First Use

**i** Before using the appliance for the first time, wash the interior and all internal accessories with lukewarm water and some neutral soap, then dry thoroughly.



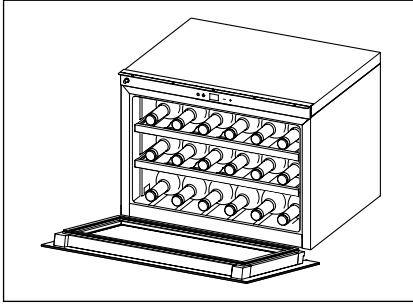
Do not use detergents or abrasive powders, as these will damage the finishing.

To turn on the appliance, press ON/OFF key and adjust temperature according to the wine stored.

### 5.4 Temperature Recollection Function

In the event of a power cut, the wine cellar can remember the previous temperature setting, and when power is recovered, the temperature will go back to the original.

## 5.5 Wine Storage

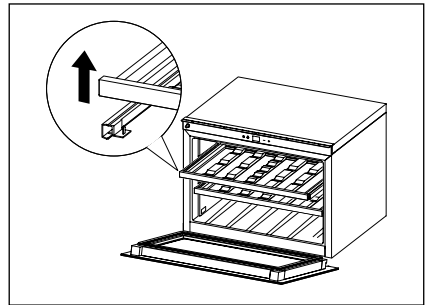
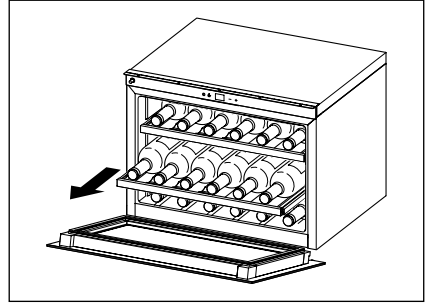


The storage time for wine depends on ageing, the type of grapes, alcoholic content and level of fructose and tannin contained in it. At the time of purchase, check if the wine is already aged or if it will improve over time.

Preservation temperature suggested:

- Champagne/Prosecco and Sparkling wines +6 to +8°C
  - White Wines +10 to +12°C
  - Rosé wines +12 to +16°C
  - Red Wines +14 to +18°C
- (for 750 ml Bordeaux bottles)  
Total: 18 bottles

## 5.6 Wine Shelves



- For easy access to the bottles, pull the shelves out of the rail compartment.

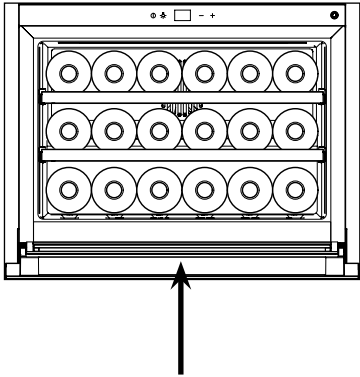


To prevent damaging the door, make sure that the door is fully opened when pulling shelves out.

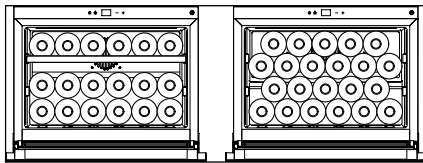
- To remove or fit the wooden shelves lift or push the shelf.

- Standard configuration

To store up to 18 bordeaux bottles placing 6 bottles each level.



The first level has been designed to accommodate larger and taller bottles.



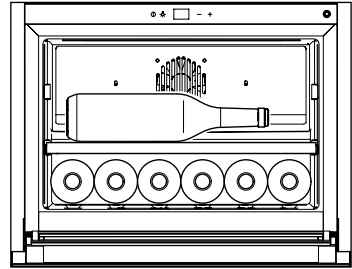
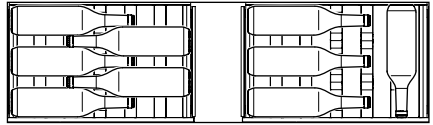
Suitable for large and tall bottles.

By removing the shelves is possible to increase the capacity as showed in the pictures.



**WARNING!** Please ensure in this case that the bottles do not come in contact with the backwall of the cavity.

- Horizontal configuration



To easily store large and tall bottles on the second shelf, can be removed the upper shelf as showed in the picture.

## 6. HINTS AND TIPS

### Normal operating sounds

The following sounds are normal during operation:

- A faint gurgling and bubbling sound from coils sound when refrigerant is pumped.
- A whirring and pulsating sound from the compressor when refrigerant is pumped.
- A sudden cracking noise from inside appliance caused by thermic dilata-

tion (a natural and not dangerous physical phenomenon).

- A faint click noise from the temperature regulator when the compressor switches on or off.

### Hints for energy saving

- Do not open the door frequently or leave it open longer than absolutely necessary.

## 7. INSTALLATION

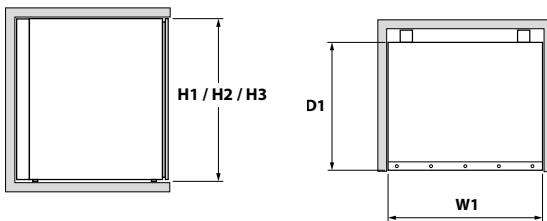
### 7.1 Positioning

Adequate air ventilation should be around the appliance, to prevent overheating. To achieve sufficient ventilation follow the installation instructions.

Install this appliance at a location where the ambient temperature corresponds to the climate class indicated on the rating plate of the appliance:

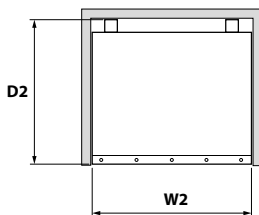
Climate class	Ambient temperature
SN	+10 °C to +32 °C
N	+16 °C to +32 °C
ST	+16 °C to +38 °C
T	+16 °C to +43 °C

#### Overall dimensions



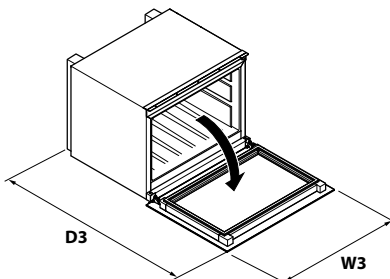
Overall dimensions	H1	455
	W1	596
	D1	566

#### Space required in use



Space required in use	H2	455
	W2	596
	D2	571

#### Overall space required in use



Overall space required in use	H3	455
	W3	596
	D3	1026

## 8. CARE AND MAINTENANCE



**CAUTION!** Unplug the appliance before carrying out any maintenance operation.



This appliance contains hydrocarbons in its cooling unit; maintenance and recharging must therefore only be carried out by authorized technicians.

### 8.1 Periodic cleaning

The equipment has to be cleaned regularly:



Do not pull, move or damage any pipes and/or cables inside the cabinet.

Never use detergents, abrasive powders, highly perfumed cleaning products or wax polishes to clean the interior as this will damage the surface and leave a strong odour.

- Clean the inside surfaces with a warm water and baking soda solution. The solution should be about 2 tablespoons of baking soda to a quart of water.
- Clean the shelves with a mild detergent solution.
- Wring excess water out of the sponge or cloth when cleaning area of the controls, or any electrical parts.
- Clean the inside and accessories with lukewarm water and some neutral soap.
- Regularly check the door seals and wipe clean to ensure they are clean and free from debris.
- Rinse and dry thoroughly.

### 8.2 Periods of non-operation

When the appliance is not in use for long periods, take the following precautions:

- disconnect the appliance from electricity supply.
- remove all items.
- clean the appliance and all accessories.
- leave the door open to prevent unpleasant smells.

## 9. TROUBLE SHOOTING GUIDE

You can solve many common Wine cellar problems easily, saving you the cost of a possible service call. Try the suggestions.

Problem	Possible cause	Solution
Wine cellar does not operate.	<ul style="list-style-type: none"> <li>• Not plugged in.</li> <li>• The appliance is turned off.</li> <li>• The circuit breaker tripped.</li> <li>• Demo Mode is active.</li> </ul>	<ul style="list-style-type: none"> <li>• Please connect the appliance.</li> <li>• Please turn ON the appliance.</li> <li>• Turn on the circuit breaker.</li> <li>• Deactivate the Demo mode (press +/- for 3sec.).</li> </ul>
Wine cellar is not cool enough.	<ul style="list-style-type: none"> <li>• Check the temperature control setting.</li> <li>• The door is not completely closed.</li> <li>• The door gasket does not seal properly.</li> </ul>	<ul style="list-style-type: none"> <li>• Verify the set temperature.</li> <li>• Verify the closure of the door.</li> <li>• Clean the door gasket with a humid sponge using neutral detergent and water.</li> </ul>
The compressor operates continuously.	<ul style="list-style-type: none"> <li>• The room temperature is hotter than normal.</li> <li>• The door is opened too often.</li> <li>• The door is not completely closed.</li> <li>• The door gasket does not seal properly.</li> </ul>	<ul style="list-style-type: none"> <li>• Verify the room temperature.</li> <li>• Do not keep the door open longer than necessary.</li> <li>• Verify that the door is completely closed.</li> <li>• Verify the gasket condition and in case clean it with a humid sponge using neutral detergent and water.</li> </ul>
The light does not work.	<ul style="list-style-type: none"> <li>• Not plugged in.</li> <li>• The circuit breaker tripped.</li> <li>• The LED has burned out.</li> <li>• The light button is not operating.</li> </ul>	<ul style="list-style-type: none"> <li>• Please connect the appliance.</li> <li>• Turn on the circuit breaker.</li> <li>• Contact the service.</li> <li>• Contact the service.</li> </ul>
Too much vibration.	<ul style="list-style-type: none"> <li>• Check that the wine cellar is levelled.</li> </ul>	<ul style="list-style-type: none"> <li>• Level the appliance.</li> </ul>
Too much noise.	<ul style="list-style-type: none"> <li>• The rattling noise may come from the flow of the refrigerant, which is normal.</li> <li>• Contraction and expansion of the inside walls may cause popping and crackling noises.</li> <li>• The wine cellar is not level.</li> <li>• Fan is dirty.</li> </ul>	<ul style="list-style-type: none"> <li>• Level the appliance.</li> <li>• Clean the fan from powder.</li> <li>• If the noises become louder contact the service.</li> </ul>
The door does not close properly.	<ul style="list-style-type: none"> <li>• The wine cellar is not level.</li> <li>• The door was fixed not properly.</li> <li>• The gasket is dirty.</li> </ul>	<ul style="list-style-type: none"> <li>• Level the appliance.</li> <li>• Verify the closure of the door.</li> <li>• Clean the door gasket with a humid sponge using neutral detergent and water.</li> </ul>
Acoustic alarm	<ul style="list-style-type: none"> <li>• The door is not closed (the alarm lasts 30 min).</li> </ul>	<ul style="list-style-type: none"> <li>• Close the door.</li> </ul>
E3 is displayed	<ul style="list-style-type: none"> <li>• The door was left open for more than 30 min.</li> <li>• Door reed switch is broken.</li> </ul>	<ul style="list-style-type: none"> <li>• Close the door.</li> <li>• Contact the service.</li> </ul>
E1 is displayed and an acoustic alarm will sound every 5 minutes.	<ul style="list-style-type: none"> <li>• The temperature inside the wine cellar is outside the range of -20°C +60°C</li> <li>• The temperature sensor is out of order or disconnected.</li> </ul>	<ul style="list-style-type: none"> <li>• Verify absence of heating from nearest appliances.</li> <li>• Contact the service.</li> </ul>
E2 is displayed	<ul style="list-style-type: none"> <li>• Warm coming from nearest appliances.</li> <li>• Ambient temperature is out of the product climate class Range.</li> <li>• Compressor or fan are out of order.</li> </ul>	<ul style="list-style-type: none"> <li>• Verify absence of heating from nearest appliances.</li> <li>• Verify if the product is installed in a place with ambient temperature within declared product climate class.</li> <li>• Contact the service.</li> </ul>

## 10. TECHNICAL INFORMATION

### Technical data

The technical information is situated in the rating plate on the internal side of the appliance and on the energy label.

The QR code on the energy label supplied with the appliance provides a web link to the information related to the performance of the appliance in the EU EPREL database. Keep the energy label for reference together with the user manual and all other documents provided with this appliance.

It is also possible to find the same information in EPREL using the link <https://eprel.ec.europa.eu> and the model name and product number that you find on the rating plate of the appliance. See the link [www.theenergylabel.eu](http://www.theenergylabel.eu) for detailed information about the energy label.


The technical information are situated in the rating plate, on the external or internal side of the appliance and in the energy label.

## 11. INFORMATION FOR TEST INSTITUTES

Installation and preparation of the appliance for any EcoDesign verification shall be compliant with EN 62552.

Ventilation requirements, recess dimensions and minimum rear clearances shall be as stated in this User Manual at Chapter 6. Please contact the manufacturer for any other further information, including loading plans.

## 12. ENVIRONMENTAL CONCERNS


The symbol  on the product or on its packaging indicates that this product may not be treated as household waste.

Instead it should be taken to the appropriate collection point for the recycling of electrical and electronic equipment.

By ensuring this product is disposed of correctly, you will help prevent potential negative consequences for the environment and human health, which could otherwise be caused by inappropriate waste handling of this product.

For more detailed information about recycling of this product, please contact your local council, your household waste disposal service or the shop where you purchased the product.

### Packaging materials

The materials with the symbol  are recyclable. Dispose of the packaging in suitable collection containers to recycle it.

## TABLE DES MATIÈRES

1. INFORMATIONS DE SÉCURITÉ .....	17
2. CONSIGNES DE SÉCURITÉ .....	19
3. DESCRIPTION DU DISPOSITIF .....	21
4. PANNEAU DE CONTRÔLE .....	22
5. UTILISATION .....	23
6. HITS AND TIPS .....	25
7. INSTALLATION .....	26
8. SOIN ET ENTRETIEN .....	27
9. GUIDE POUR LA RÉOLUTION DES PROBLÈMES .....	28
10. CARACTÉRISTIQUES TECHNIQUES.....	29
11. INFORMATIONS POUR LES INSTITUTS DE TEST.....	29
12. EN MATIÈRE DE PROTECTION DE L'ENVIRONNEMENT .....	29

## POUR DES RÉSULTATS PARFAITS

Nous vous remercions d'avoir choisi un produit AEG. Le produit a été conçu pour garantir de hautes performances pendant de nombreuses années, grâce à des technologies innovantes qui simplifient la vie, caractéristiques que ne garantissent pas tous les dispositifs ordinaires. Quelques minutes suffisent pour lire les instructions et obtenir un fonctionnement optimal du dispositif.

Visiter le site du fabricant pour :



Obtenir conseils utiles, brochures, guides de résolution des problèmes et informations sur les services :

**www.aeg.com**



Enregistrer le produit pour une meilleure assistance :

**www.registreaeg.com**



Acheter des accessoires, des consommables et des pièces détachées d'origine pour le dispositif :

**www.aeg.com/shop**

## SOIN ET ENTRETIEN DE LA PART DU CLIENT

Il est recommandé d'utiliser des pièces détachées d'origine.

Avant de contacter l'assistance, veiller à disposer des données suivantes.

Sur la plaque, figurent les informations suivantes : modèle, code article et numéro de série.



Avertissement / Attention - Informations de sécurité.



Informations générales et conseils.



Informations écologiques.

Sujet à modifications sans préavis.



# 1. INFORMATIONS DE SÉCURITÉ

Avant d'installer et d'utiliser cet appareil, lisez soigneusement les instructions fournies. Le fabricant ne pourra être tenu pour responsable en cas de dommages dus à une installation incorrecte ou une utilisation non conforme. Conservez toujours cette notice avec votre appareil pour vous y référer ultérieurement.

## 1.1 Sécurité des enfants et des personnes vulnérables

- Cet appareil n'est pas destiné à être utilisé par des enfants ou des personnes dont les capacités physiques, sensorielles ou mentales, ou le manque d'expérience et de connaissance les empêchent d'utiliser l'appareil sans risque lorsqu'ils sont sans surveillance ou en l'absence d'instruction d'une personne responsable qui puisse leur assurer une utilisation de l'appareil sans danger.
- Cet appareil peut être utilisé par des enfants entre 3 et 8 ans et des personnes ayant un handicap très important et complexe à condition d'avoir reçu de bonnes instructions.
- Les enfants de moins de 3 ans doivent être tenus à l'écart de l'appareil, à moins d'être surveillés en permanence.
- Les enfants ne doivent pas jouer avec l'appareil.
- Les enfants ne doivent pas nettoyer ni entreprendre une opération de maintenance sur l'appareil sans surveillance.
- Ne laissez pas les emballages à la portée des enfants et jetez-les convenablement.

## 1.2 Sécurité générale

- Cet appareil est conçu pour un usage domestique et des applications équivalentes, telles que:
  - Dans des fermes, des coins cuisines réservés au personnel dans des magasins, bureaux et autres
  - L'utilisation par les clients des hôtels, motels, des environnements du type chambres d'hôtes et autres en-

vironnements à caractère résidentiel

- **AVERTISSEMENT** : Veillez à ce que les orifices de ventilation, situés dans l'enceinte de l'appareil ou la structure intégrée, ne soient pas obstrués.
- **AVERTISSEMENT** : N'utilisez aucun autre dispositif mécanique ou autre pour accélérer le processus de dégivrage que ceux recommandés par le fabricant.
- **AVERTISSEMENT** : N'endommagez pas le circuit de réfrigération.
- **AVERTISSEMENT** : N'utilisez pas d'appareils électriques à l'intérieur des compartiments de conservation des aliments de l'appareil, sauf s'ils sont du type recommandé par le fabricant.
- Ne pulvérisez pas d'eau ni de vapeur pour nettoyer l'appareil.
- Nettoyez l'appareil avec un chiffon doux humide. Utilisez uniquement un détergent neutre. N'utilisez pas de produits abrasifs, de tampons à récurer, de solvants ni d'objets métalliques.
- Ne pas stocker dans cet appareil des substances explosives telles que des aérosols contenant des gaz propulseurs inflammables.
- Si le câble d'alimentation est endommagé, il doit être remplacé par le fabricant, son atelier d'entretien ou un technicien qualifié afin d'éviter tout danger.
- Ce dispositif n'est prévu ni pour un usage professionnel ni pour un usage commercial

## 2. CONSIGNES DE SÉCURITÉ

### 2.1 Maintenance

- Pour réparer l'appareil, contactez un service après-vente agréé. Utilisez exclusivement des pièces d'origine.
- Veuillez noter qu'une autoréparation ou une réparation non professionnelle peuvent avoir des conséquences sur la sécurité et annuler la garantie.
- Les pièces d'origine suivantes seront disponibles pendant 7 ans après l'arrêt du modèle : thermostats, capteurs de température, cartes circuits imprimées, sources lumineuses, poignées de portes, charnières de portes, plaques et balconnets. Veuillez noter que certaines de ces pièces de rechange ne sont disponibles qu'auprès de réparateurs professionnels et que toutes les pièces de rechange ne sont pas adaptées à tous les modèles.
- Les joints de portes seront disponibles pendant 10 ans après l'arrêt du modèle.

### 2.2 Instructions d'installation



**ATTENTION!** L'appareil doit être installé uniquement par un professionnel qualifié.

- Retirez l'intégralité de l'emballage.
- N'installez pas et ne branchez pas un appareil endommagé.
- Suivez scrupuleusement les instructions d'installation fournies avec l'appareil.
- L'appareil est lourd, soyez toujours prudent lorsque vous le déplacez. Portez toujours des gants de sécurité.
- Assurez-vous que l'air circule autour de l'appareil.
- Attendez au moins 4 heures avant de raccorder l'appareil à l'alimentation électrique. Ceci permet à l'huile de revenir dans le compresseur.
- N'installez pas l'appareil à proximité des radiateurs, des cuisinières, des fours ou des plaques de cuisson.
- L'arrière de l'appareil doit s'appuyer contre le mur.
- N'installez pas l'appareil dans un endroit exposé à la lumière directe du soleil.
- N'installez pas cet appareil dans des zones trop humides ou trop froides, telles que les cabines de chantier, les garages ou les celliers à vin.

- Lorsque vous déplacez l'appareil, veillez à le soulever par l'avant pour éviter de rayer le sol.

### 2.3 Connexion électrique



**ATTENTION!** Risque d'incendie ou d'électrocution.



**ATTENTION!** Lorsque vous installez l'appareil, assurez-vous que le câble d'alimentation n'est pas coincé ou endommagé.



**ATTENTION!** L'appareil ne doit pas être raccordé à l'aide d'une rallonge ou d'une prise multiple.

- L'appareil doit être relié à la terre.
- L'ensemble des branchements électriques doit être effectué par un technicien qualifié.
- Vérifiez que les données électriques figurant sur la plaque signalétique correspondent à celles de votre réseau. Si ce n'est pas le cas, contactez un électricien.
- Branchez toujours la prise principale dans une prise correctement installée, protégée contre les chocs.
- N'utilisez pas d'adaptateurs multiprises ni de rallonges.
- Veillez à ne pas endommager les composants électriques tels que la fiche secteur, le câble d'alimentation ou le compresseur. Contactez le service après-vente ou un électricien pour changer les composants électriques.
- Le câble d'alimentation doit rester en dessous du niveau de la fiche secteur.
- Ne branchez la fiche d'alimentation à la prise de courant qu'à la fin de l'installation. Assurez-vous que la prise de courant est accessible une fois l'appareil installé.
- Pour débrancher l'appareil, ne tirez jamais sur le câble d'alimentation électrique. Tirez toujours sur la fiche pour la débrancher de la prise secteur.
- Lorsque vous installez l'appareil, assurez-vous que le câble d'alimentation n'est pas coincé ou endommagé.
- Ne placez pas des multiprises portables or ou des prises d'alimentation portables à l'arrière de l'appareil.

## 2.4 Utilisation



**ATTENTION!** Risque de blessures, de brûlures, d'électrocution ou d'incendie.



L'appareil contient du gaz inflammable, l'isobutane (R600a), un gaz naturel très respectueux de l'environnement. Veillez à ne pas endommager le circuit de réfrigération contenant de l'isobutane.

- Ne modifiez pas les caractéristiques de cet appareil.
- Ne placez aucun appareil électrique (sorbetière, etc.) dans l'appareil, en l'absence d'indications du fabricant.
- Si le circuit frigorifique est endommagé, assurez-vous de l'absence de flammes et de sources d'ignition dans la pièce. Aérez la pièce.
- Évitez tout contact d'éléments chauds avec les parties en plastique de l'appareil.
- Ne placez jamais de boissons gazeuses dans le congélateur. Cela engendrerait une pression sur le récipient de la boisson.
- Ne stockez jamais de gaz ou de liquide inflammable dans l'appareil.
- Ne placez pas de produits inflammables ou d'éléments imbibés de produits inflammables à l'intérieur ou à proximité de l'appareil, ni sur celui-ci.
- Ne touchez pas le compresseur ni le condenseur. Ils sont chauds.

## 2.5 Éclairage interne



**AVERTISSEMENT!**  
Risque d'électrocution !

- Concernant la/les lampe(s) à l'intérieur de ce produit et les lampes de rechange vendues séparément : Ces lampes sont conçues pour résister à des conditions physiques extrêmes dans les appareils électroménagers, telles que la température, les vibrations, l'humidité, ou sont conçues pour signaler des informations sur le statut opérationnel de l'appareil. Elles ne sont pas prévues pour être utilisées dans d'autres applications et ne conviennent pas pour l'éclairage des pièces d'une maison.

## 2.6 Entretien et nettoyage



**ATTENTION!** Risque de blessure corporelle ou de dommages matériels.

- Avant toute opération d'entretien, éteignez l'appareil et débranchez la prise secteur.
- Cet appareil contient des hydrocarbures dans son circuit de réfrigération. L'entretien et la recharge du circuit de réfrigération doivent être effectués par un professionnel qualifié.
- Examinez régulièrement l'écoulement de l'appareil et si nécessaire, nettoyez-le. Si l'orifice est bouché, l'eau provenant du dégivrage s'écoulera en bas de l'appareil.
- La poussière présente derrière le réfrigérateur et sur le sol doit être régulièrement nettoyée pour améliorer l'effet de la réfrigération et les économies d'énergie.
- L'intérieur de la cave à vin doit être nettoyé régulièrement pour éviter les odeurs.
- Vérifiez régulièrement le joint d'étanchéité de la porte pour contrôler l'absence de débris.
- Avant de procéder au nettoyage, veuillez débrancher l'alimentation, retirer tous les aliments, les étagères, les bacs, etc.
- Nettoyez le joint d'étanchéité de la porte avec un savon doux et de l'eau.
- Utilisez un tissu doux ou une éponge pour nettoyer l'intérieur de la cave à vin avec deux cuillères à soupe de bicarbonate de soude et un litre d'eau chaude. Rincez ensuite à l'eau et essuyez. Ouvrez la porte et laissez sécher à l'air libre avant de rebrancher l'alimentation.
- Pour les zones de la cave à vin qui sont difficiles à nettoyer (comme les espaces, les sandwichs étroits ou les coins), il est recommandé de les essuyer régulièrement avec un chiffon doux, une brosse souple, etc. et, si nécessaire, d'y associer certains outils auxiliaires (comme des tiges fines) pour s'assurer de l'absence d'accumulation de contaminants dans ces zones.
- N'utilisez pas de savon, de détergent, de poudre à récurer, d'agent nettoyant en spray, etc., car ils peuvent provoquer l'apparition d'odeurs à l'intérieur de la cave à vin.

- Nettoyez le porte-bouteilles, les étagères et les bacs avec un détergent doux et séchez-les avec un tissu doux.
- Essuyez la surface extérieure de la cave à vin avec un tissu doux imbibé d'eau savonneuse, de détergent, etc., puis séchez-la.
- N'utilisez pas des brosses dures, des billes d'acier, des brosses métalliques, des abrasifs comme les dentifrices, des solvants organiques (comme l'alcool, l'acétone, l'huile de banane, etc.), de l'eau bouillante, des solutions acides ou alcalines pour nettoyer la cave à vin car ils sont susceptibles d'endommager la surface et l'intérieur du réfrigérateur. L'eau bouillante et le benzène sont susceptibles de déformer ou d'endommager les pièces en plastique.
- Ne rincez pas avec de l'eau afin de ne pas affecter les propriétés en matière d'isolation électrique.

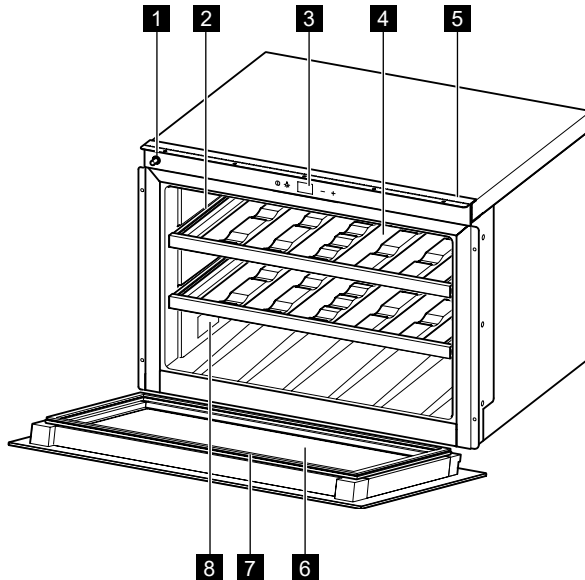
## 2.7 Mise au rebut



**ATTENTION!** Risque de blessure ou d'asphyxie.

- Débranchez l'appareil de l'alimentation électrique.
- Coupez le câble d'alimentation et mettez-le au rebut.
- Retirez la porte pour empêcher les enfants et les animaux de se retrouver enfermés dans l'appareil.
- Le circuit frigorifique et les matériaux d'isolation de cet appareil préservent la couche d'ozone.
- La mousse isolante contient un gaz inflammable. Contactez votre service municipal pour obtenir des informations sur la marche à suivre pour mettre l'appareil au rebut.
- N'endommagez pas la partie du circuit de réfrigération située à proximité du condenseur thermique.

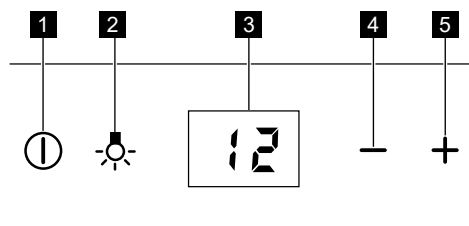
## 3. DESCRIPTION DU DISPOSITIF



- 1** Mécanisme relâchement porte
- 2** Guides télescopiques
- 3** Panneau de contrôle
- 4** Étagères

- 5** Barre de fixation
- 6** Porte
- 7** Garniture
- 8** Plaque

## 4. PANNEAU DE CONTRÔLE



- 1** Touche ON/OFF
- 2** Touche éclairage
- 3** Écran

- 4** Touche température plus froide
- 5** Touche température plus chaude

### 4.1 Interrupteur on/off et réglage de la température

Pour allumer le dispositif, appuyer sur la touche ON/OFF.

L'écran affiche la température prédéfinie (12°C).

En appuyant sur la touche -/+, il est possible de régler la température de 5 à 20°C (par unité de 1°C).

Pour éteindre le dispositif, appuyer sur la touche ON/OFF pendant 5 secondes.

### 4.2 Touche éclairage

Quand la porte est ouverte, la lumière à LED est allumée, quand la porte est fermée, elle est éteinte. Pour maintenir la lumière allumée alors que la porte est fermée, ouvrir celle-ci et appuyer sur la touche éclairage.

Pour rétablir les conditions standard, appuyer à nouveau sur la touche éclairage.

### 4.3 Écran

L'écran affiche la température programmée et les messages d'erreur, si la modalité Démo est sélectionnée et si les touches sont bloquées.

### 4.4 Modalité Blocage touches

Pour activer la modalité Blocage touches, appuyer sur la touche + et sur la touche éclairage pendant 3 secondes.

Le dispositif continue de fonctionner conformément aux derniers réglages.

Pour désactiver la modalité Blocage touches, effectuer la même opération.

En sélectionnant cette fonction, si une quelconque touche est enfoncée, l'écran affiche le message « bl ».

### 4.5 Modalité Démo

La MODALITÉ DÉMO a été prévue pour le fonctionnement à l'occasion de salons et dans les showrooms.

L'écran est ALLUMÉ, il est possible de modifier la température mais le moteur de refroidissement est ÉTEINT.

Pour activer ou désactiver la MODALITÉ DÉMO, appuyer simultanément sur les touches + et - pendant 3 secondes.

Il est possible de maintenir la lumière à LED interne allumée y compris quand la porte est fermée.

Pour activer la modalité lumière ALLUMÉE, appuyer sur la touche éclairage.


## 5. UTILISATION

### 5.1 Utilisation quotidienne



Cet appareil est spécifiquement conçu pour le stockage du vin.



Le conservation du vin est celui marqué (sur la plaque signalétique) avec 

#### Nettoyage

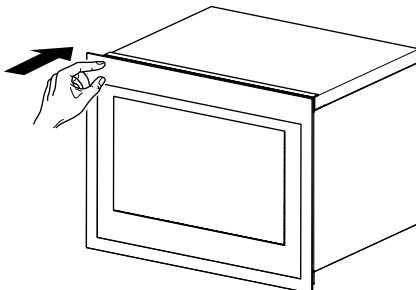
Avant d'utiliser l'appareil pour la première fois, nettoyez l'intérieur et tous les accessoires avec de l'eau tiède savonneuse (pour supprimer toute odeur de neuf), puis séchez-les soigneusement.

- L'ouverture prolongée de la porte peut entraîner une élévation de température importante dans les compartiments de l'appareil.
- Lavez régulièrement les surfaces pouvant entrer en contact avec les aliments, ainsi que les systèmes d'évacuation accessibles.
- Conservez les viandes et poissons crus dans le réfrigérateur dans des récipients appropriés, de manière à ce qu'ils ne soient pas en contact avec d'autres aliments et ne s'égouttent sur ces derniers.
- Si vous laissez un appareil de réfrigération vide pendant de longues périodes, éteignez-le, dégivrez-le, nettoyez-le, séchez-le et laissez la porte ouverte pour empêcher la moisissure de se développer à l'intérieur.

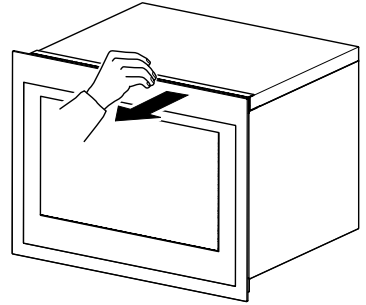
### 5.2 Ouverture de la porte

Pour ouvrir la porte :

- pousser le côté gauche de la porte



- ou le tirer



### 5.3 Première utilisation



Avant la première utilisation du dispositif, laver l'intérieur et tous les accessoires internes à l'aide d'eau tiède et d'un peu de savon neutre, puis bien essuyer.



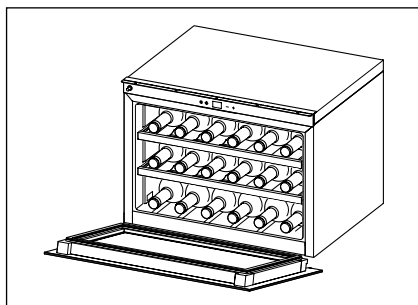
Ne pas utiliser de détergents ni de poudres abrasives pour ne pas endommager les finitions.

Pour allumer le dispositif, appuyer sur la touche ON/OFF et régler la température en fonction du vin à conserver.

### 5.4 Fonction mémoire température

En cas de coupure de courant, la cave à vin est en mesure de conserver en mémoire le réglage précédemment effectué de la température et après retour de l'alimentation électrique, cette température est rétablie.

## 5.4 Conservation du vin



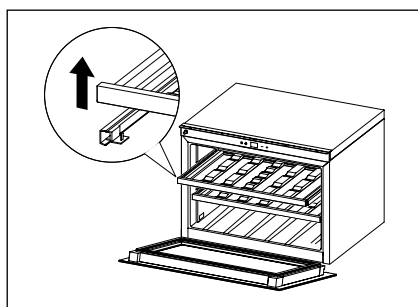
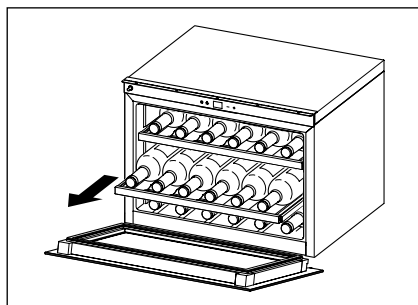
Le temps de conservation du vin dépend du vieillissement, du type de cépage, du degré d'alcool et de la teneur en fructose et tannins. Au moment de l'achat, établir si le vin a déjà vieilli ou s'il peut encore se bonifier avec le temps.

Température de conservation recommandée :

- Champagne/Crémant et vins pétillants : de +6 à +8°C
- Vins blancs : de +10 à +12°C
- Vins rosés : de +12 à +16°C
- Vins rouges : de +14 à +18°C

(pour bouteilles de Bordeaux de 750 ml)  
Total : 18 bouteilles

## 5.5 Étagères pour le vin



- pour accéder facilement aux bouteilles, extraire les étagères du compartiment.



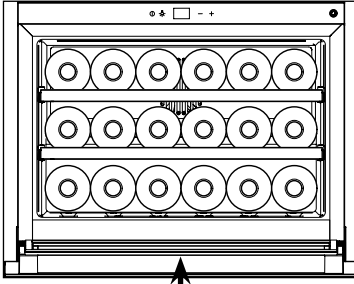
Pour éviter d'endommager la porte, s'assurer qu'elle est entièrement ouverte avant d'extraire les étagères.

- Pour retirer ou monter les étagères en bois, les soulever ou les pousser.

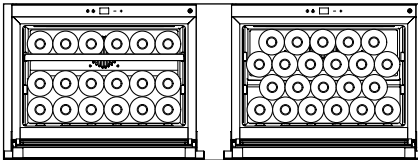


- Configuration standard

Pour conserver jusqu'à 18 bouteilles de Bordeaux, placer 6 bouteilles sur chaque niveau.



Le premier niveau est prévu pour y placer les bouteilles les plus grandes et les plus hautes.



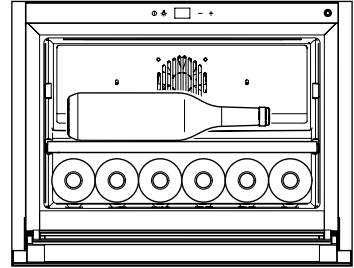
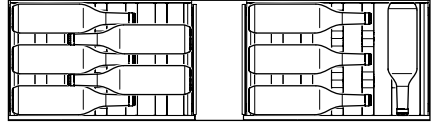
Pour bouteilles grandes et hautes

En retirant les étagères, il est possible d'augmenter la capacité comme indiqué sur les figures.



**AVERTISSEMENT!** Dans ce cas, s'assurer que les bouteilles ne sont pas au contact de la paroi postérieure du compartiment.

- Configuration horizontale



Pour conserver facilement des bouteilles grandes et hautes sur la deuxième étagère, il est possible de retirer l'étagère supérieure comme indiqué sur la figure.

## 6. HITS AND TIPS

### Bruits normaux de fonctionnement

Les bruits suivants sont normaux lorsque l'appareil est en cours de fonctionnement:

- Un léger gargouillis lorsque le liquide réfrigérant est pompé.
- Un ronronnement et un bruit de pulsation provenant du compresseur lorsque le liquide réfrigérant est pompé.
- Un bruit de craquement soudain provenant de l'intérieur de l'appareil pro-

voqué par une dilatation thermique (un phénomène naturel et inoffensif).

- Un léger cliquetis du thermostat lorsque le compresseur s'active ou se désactive.

### Conseils d'économie d'énergie

- Évitez d'ouvrir trop souvent la porte du congélateur et ne la laissez ouverte que le temps nécessaire.

## 7. INSTALLATION

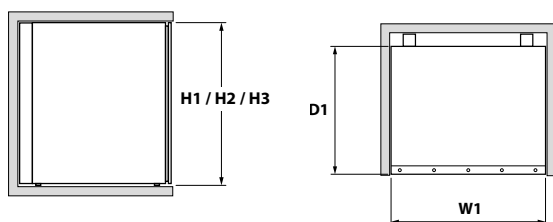
### 7.1 Positionnement

Autour du dispositif, une bonne ventilation d'air doit être garantie pour éviter la surchauffe. Pour obtenir une ventilation suffisante, suivre les instructions d'installation.

Installer le dispositif dans une position où la température ambiante correspond à la classe climatique indiquée sur la plaque du dispositif :

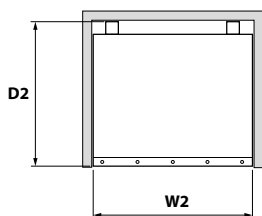
Classe climatique	Température ambiante
SN	de +10°C à +32°C
N	de +16 °C à +32°C
ST	de +16 °C à +38 °C
T	de +16 °C à +43 °C

Dimensions hors tout



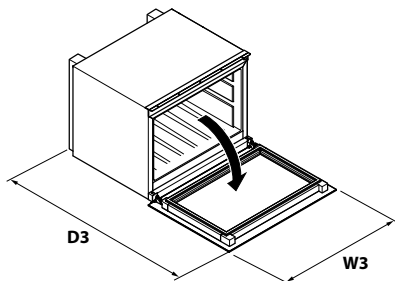
Dimensions hors tout	H1	455
	W1	596
	D1	566

Espace requis lors de l'utilisation



Espace requis lors de l'utilisation	H2	455
	W2	596
	D2	571

Espace global requis lors de l'utilisation



Espace global requis lors de l'utilisation	H3	455
	W3	596
	D3	1026

## 8. SOIN ET ENTRETIEN



**ATTENTION!** Avant d'effectuer toute intervention d'entretien, débrancher le dispositif.



Le dispositif contient des hydrocarbures, dans l'unité de refroidissement ; aussi, l'entretien et la recharge doit être confiés à un technicien agréé.

### 8.1 Nettoyage périodique

Le dispositif doit être régulièrement nettoyé.



Ne pas tirer ni déplacer les tuyaux ni les câbles à l'intérieur de l'unité et veiller à ne pas les endommager.

Pour nettoyer l'intérieur, ne jamais utiliser de détergents, de poudres abrasives, de produits de nettoyage particulièrement parfumés, ni de cires : de tels produits peuvent endommager les surfaces et laisser une forte odeur.

- Laver les surfaces internes avec une solution d'eau tiède et de bicarbonate de soude. La solution doit être constituée d'environ 2 cuillères de bicarbonate de soude pour un litre d'eau.
- Laver les étagères avec une solution détergente délicate.
- Essorer l'éponge ou le chiffon pour nettoyer la zone des commandes ou toute partie électrique.
- Nettoyer l'intérieur et les accessoires à l'eau tiède et avec un peu de savon neutre.
- Contrôler et nettoyer régulièrement les joints de la porte pour s'assurer de leur propreté et en éliminer les éventuels résidus.
- Rincer et bien essuyer.

### 8.2 Période d'arrêt

En cas d'arrêt prolongé du dispositif, veiller à respecter les précautions suivantes :

- Débrancher le dispositif de l'alimentation.
- Retirer tous les éléments.
- Nettoyer le dispositif et tous les accessoires.
- Laisser la porte ouverte pour prévenir la formation de mauvaises odeurs.

## 9. GUIDE POUR LA RÉOLUTION DES PROBLÈMES

Il est possible de résoudre facilement par soi-même de nombreux problèmes qui peuvent se présenter sur la cave à vin et éviter ainsi le coût d'un appel d'assistance technique. Suivre les conseils suivants.

Problème	Cause possible	Solution
La cave à vin ne fonctionne pas.	<ul style="list-style-type: none"> <li>• Câble d'alimentation non branché.</li> <li>• Le dispositif est éteint.</li> <li>• L'interrupteur est sur OFF.</li> <li>• La modalité démo est active.</li> </ul>	<ul style="list-style-type: none"> <li>• Brancher le dispositif.</li> <li>• Allumer le dispositif.</li> <li>• Placer l'interrupteur sur ON.</li> <li>• Désactiver la modalité démo (appuyer sur +/- pendant 3 secondes).</li> </ul>
La cave à vin n'est pas suffisamment froide.	<ul style="list-style-type: none"> <li>• Contrôler le réglage de contrôle température.</li> <li>• La porte est mal fermée.</li> <li>• Le joint de la porte ne garantit pas la bonne isolation.</li> </ul>	<ul style="list-style-type: none"> <li>• Contrôler la température programmée.</li> <li>• S'assurer que la porte est fermée.</li> <li>• Nettoyer le joint de la porte avec une éponge humidifiée de détergent neutre et d'eau.</li> </ul>
Le compresseur fonctionne sans arrêt.	<ul style="list-style-type: none"> <li>• La température ambiante est supérieure à la normale.</li> <li>• La porte est trop souvent ouverte.</li> <li>• La porte est mal fermée.</li> <li>• Le joint de la porte ne garantit pas la bonne isolation.</li> </ul>	<ul style="list-style-type: none"> <li>• Contrôler la température ambiante.</li> <li>• Ne pas laisser la porte ouverte plus que nécessaire.</li> <li>• S'assurer que la porte est parfaitement fermée.</li> <li>• Contrôler l'état du joint et, au besoin, le nettoyer avec une éponge humidifiée de détergent neutre et d'eau.</li> </ul>
La lumière ne fonctionne pas.	<ul style="list-style-type: none"> <li>• Câble d'alimentation non branché.</li> <li>• L'interrupteur est sur OFF.</li> <li>• La LED est grillée.</li> <li>• Le bouton de la lumière ne fonctionne pas.</li> </ul>	<ul style="list-style-type: none"> <li>• Brancher le dispositif.</li> <li>• Placer l'interrupteur sur ON.</li> <li>• Contacter l'assistance.</li> <li>• Contacter l'assistance.</li> </ul>
Vibrations excessives.	<ul style="list-style-type: none"> <li>• S'assurer que la cave à vin est parfaitement à l'horizontale.</li> </ul>	<ul style="list-style-type: none"> <li>• Mettre la cave à vin parfaitement à l'horizontale.</li> </ul>
Bruit excessif.	<ul style="list-style-type: none"> <li>• Le bruit mécanique peut être dû au flux de réfrigérant ; ce bruit est normal.</li> <li>• La contraction et l'expansion des parois internes peuvent produire des bruits secs et des craquements.</li> <li>• La cave à vin n'est pas parfaitement à l'horizontale.</li> <li>• Le ventilateur est sale.</li> </ul>	<ul style="list-style-type: none"> <li>• Mettre la cave à vin parfaitement à l'horizontale.</li> <li>• Éliminer la poussière du ventilateur.</li> <li>• Si le bruit augmente, contacter l'assistance.</li> </ul>
La porte est mal fermée.	<ul style="list-style-type: none"> <li>• La cave à vin n'est pas parfaitement à l'horizontale.</li> <li>• La porte a été mal fixée.</li> <li>• Le joint est sale.</li> </ul>	<ul style="list-style-type: none"> <li>• Mettre la cave à vin parfaitement à l'horizontale.</li> <li>• S'assurer que la porte est fermée.</li> <li>• Nettoyer le joint de la porte avec une éponge humidifiée de détergent neutre et d'eau.</li> </ul>
Alarme sonore.	<ul style="list-style-type: none"> <li>• La porte est mal fermée (l'alarme dure 30 min.).</li> </ul>	<ul style="list-style-type: none"> <li>• Fermer la porte,</li> </ul>
E3 s'affiche.	<ul style="list-style-type: none"> <li>• La porte a été laissée ouverte pendant plus de 30 min.</li> <li>• Rupture de l'interrupteur reed de la porte.</li> </ul>	<ul style="list-style-type: none"> <li>• Fermer la porte,</li> <li>• Contacter l'assistance.</li> </ul>
E1 s'affiche et un signal sonore d'alarme est émis toutes les 5 minutes.	<ul style="list-style-type: none"> <li>• La température interne de la cave à vin n'est pas comprise entre -20°C et +60°C.</li> <li>• Le capteur de température est hors d'usage ou débranché.</li> </ul>	<ul style="list-style-type: none"> <li>• S'assurer qu'aucun dispositif situé à proximité n'émet de la chaleur.</li> <li>• Contacter l'assistance.</li> </ul>
E2 s'affiche.	<ul style="list-style-type: none"> <li>• Les dispositifs situés à proximité émettent de la chaleur.</li> <li>• La température ambiante n'est pas comprise dans l'intervalle de la classe climatique du dispositif.</li> <li>• Le compresseur ou le ventilateur est hors d'usage.</li> </ul>	<ul style="list-style-type: none"> <li>• S'assurer qu'aucun dispositif situé à proximité n'émet de la chaleur.</li> <li>• S'assurer que la cave à vin est installée à un endroit où la température ambiante est comprise dans l'intervalle de la classe climatique du dispositif.</li> <li>• Contacter l'assistance.</li> </ul>

## 10. CARACTÉRISTIQUES TECHNIQUES

### CARACTÉRISTIQUES TECHNIQUES

Les informations techniques figurent sur la plaque signalétique sur le côté intérieur de l'appareil et sur l'étiquette énergétique.

Le code QR présent sur l'étiquette énergétique fournie avec l'appareil contient un lien Web vers les informations relatives aux performances de l'appareil dans la base de données EPREL de l'UE. Conservez l'étiquette énergétique à titre de référence avec le manuel d'utilisation et tous les autres documents fournis avec cet appareil.

Il est également possible de trouver les mêmes informations dans EPREL à l'aide du lien <https://eprel.ec.europa.eu> avec le nom du modèle et le numéro de produit se trouvant sur la plaque signalétique de l'appareil. Consultez le lien [www.theenergylabel.eu](http://www.theenergylabel.eu) pour obtenir des informations détaillées sur l'étiquette énergétique.

Les caractéristiques techniques figurent sur la plaque signalétique située sur le côté intérieur ou extérieur de l'appareil et sur l'étiquette énergétique.


## 11. INFORMATIONS POUR LES INSTITUTS DE TEST

L'installation et la préparation de l'appareil pour une vérification EcoDesign doivent être conformes à la norme EN 62552.

Les exigences de ventilation, les dimensions des évidements et les dégagements arrière minimum doivent correspondre aux indications du chapitre 6 de cette notice d'utilisation. Veuillez contacter le fabricant pour de plus amples informations, notamment les plans de chargement.

## 12. EN MATIÈRE DE PROTECTION DE L'ENVIRONNEMENT




Le symbole  qui figure sur le produit ou son emballage indique que ce produit ne peut être traité comme déchet ménager. Il doit être remis à un point de collecte et de recyclage du matériel électrique et électronique.

En éliminant l'appareil comme il se doit, l'utilisateur contribue à atténuer les conséquences négatives qu'une mauvaise gestion des déchets de ce produit peut avoir sur l'environnement et la santé.

Pour obtenir plus de détails sur le recyclage de ce produit, veuillez prendre contact avec les services de votre commune ou le magasin où vous avez effectué votre achat.

### Matériaux d'emballage

Tous les matériaux marqués du symbole  sont recyclables. Jetez les emballages dans les conteneurs prévus à cet effet pour qu'ils puissent être recyclés.

# INHALT

1. SICHERHEITSINFORMATIONEN .....	31
2. SICHERHEITSHINWEISE .....	33
3. PRODUKTBESCHREIBUNG .....	35
4. BEDIENFELD .....	36
5. GEBRAUCH.....	37
6. HINWEISE UND TIPPS.....	39
7. INSTALLATION .....	40
8. PFLEGE UND WARTUNG.....	41
9. ANLEITUNG ZUR FEHLERSUCHE .....	42
10. TECHNISCHE INFORMATIONEN .....	43
11. INFORMATIONEN FÜR PRÜFINSTITUTE .....	43
12. UMWELTANLIEGEN .....	43

## FÜR PERFEKTE ERGEBNISSE

Vielen Dank, dass Sie dieses AEG-Produkt gewählt haben. Wir haben es hergestellt, um Ihnen viele Jahre eine optimale Leistung zu liefern, mit innovativen Technologien, die das Leben einfacher machen und Funktionen, die Sie bei gewöhnlichen Geräten vielleicht nicht finden. Nehmen Sie sich zum Lesen ein paar Minuten Zeit, um das Produkt optimal zu nutzen.

Besuchen Sie unsere Webseite, um:



Anwendungsberatung, Broschüren, Troubleshooter, Serviceinformationen zu erhalten:

**[www.aeg.com](http://www.aeg.com)**



Ihr Produkt für besseren Service zu registrieren:

**[www.registeraeg.com](http://www.registeraeg.com)**



Zubehör, Verbrauchsmaterialien und Originalersatzteile für Ihr Gerät zu kaufen:

**[www.aeg.com/shop](http://www.aeg.com/shop)**

## KUNDENBETREUUNG UND -DIENST

Wir empfehlen, Originalersatzteile zu verwenden.

Wenn Sie den Service kontaktieren, sorgen Sie dafür, dass Sie folgende Informationen bereithalten.

Die Informationen finden Sie auf dem Typenschild. Modell, PNC, Seriennummer.



Warn- / Vorsichts-Sicherheitshinweise.



Allgemeine Informationen und Tipps.



Umgebungsinformationen.

Technische Änderungen vorbehalten.

# 1. SICHERHEITSINFORMATIONEN

Lesen Sie vor der Installation und Verwendung des Geräts die mitgelieferte Anleitung sorgfältig durch. Der Hersteller ist nicht verantwortlich, wenn eine falsche Installation und Verwendung zu Verletzungen und Schäden führt. Bewahren Sie die Anleitung immer zusammen mit dem Gerät auf, um bei Bedarf nachschlagen zu können.

## 1.1 Sicherheit für Kinder und gefährdete Personen

- Dieses Gerät kann von Kindern ab 8 Jahren und darüber sowie von Personen mit verringerten physischen, sensorischen oder mentalen Fähigkeiten oder Mangel an Erfahrung und Wissen benutzt werden, wenn sie beaufsichtigt oder bezüglich des sicheren Gebrauchs des Geräts unterwiesen wurden und die daraus resultierenden Gefahren verstehen.
- Dieses Gerät kann von Kindern zwischen 3 und 8 Jahren sowie von Personen mit sehr weitreichenden und komplexen Behinderungen verwendet werden, wenn sie ordnungsgemäß eingewiesen wurden.
- Kinder unter 3 Jahren sollten vom Gerät ferngehalten werden, wenn sie nicht ständig beaufsichtigt werden.
- Lassen Sie Kinder nicht mit dem Gerät spielen.
- Kinder dürfen die Reinigung und Benutzerwartung des Geräts nicht ohne Aufsicht durchführen.
- Halten Sie alle Verpackungen von Kindern fern und entsorgen Sie sie ordnungsgemäß zu entsorgen.

## 1.2 Allgemeine Sicherheit

- Dieses Gerät ist für die Verwendung in Haushalten und ähnlichen Anwendungen vorgesehen, wie z. B.:
  - In Bauernhäusern; in Personalküchen in Geschäften, Büros und anderen Arbeitsumgebungen
  - von Kunden in Hotels, Motels, Pensionen und anderen Wohnbereichen

- Verwenden Sie dieses Gerät nur zur Lagerung von Wein.
- **ACHTUNG:** Halten Sie Lüftungsöffnungen im Gerätegehäuse oder in der Einbaustruktur frei von Hindernissen.
- **ACHTUNG:** Verwenden Sie keine mechanischen Vorrichtungen oder andere Mittel, um den Abtauprozess zu beschleunigen, die nicht vom Hersteller empfohlen werden.
- **ACHTUNG:** Beschädigen Sie nicht den Kältemittelkreislauf.
- **ACHTUNG:** Verwenden Sie keine Elektrogeräte in den Staufächern des Geräts, es sei denn, sie gehören zu dem vom Hersteller empfohlenen Typ.
- Verwenden Sie zum Reinigen des Geräts kein Spritzwasser und keinen Dampf.
- Reinigen Sie das Gerät mit einem feuchten, weichen Tuch. Verwenden Sie nur neutrale Reinigungsmittel. Verwenden Sie keine Scheuermittel, scheuernde Reinigungspads, Lösungsmittel oder Metallgegenstände.
- Lagern Sie in diesem Gerät keine explosiven Stoffe wie z.B. Aerosoldosen mit einem brennbaren Treibmittel.
- Wenn das Netzkabel beschädigt ist, muss es durch den Hersteller, seinen Kundendienst oder ähnlich qualifizierte Personen ersetzt werden, um eine Gefährdung zu vermeiden.
- Dieses Gerät ist nicht für den professionellen oder gewerblichen Einsatz bestimmt.



## 2. SICHERHEITSHINWEISE

### 2.1 Wartung

- Wenden Sie sich zur Reparatur des Geräts an ein autorisiertes Servicezentrum. Verwenden Sie nur Original-Ersatzteile.
- Beachten Sie, dass eine Selbstreparatur oder eine nicht fachmännische Reparatur sicherheitstechnische Folgen haben kann und zum Erlöschen der Garantie führen kann.
- Die folgenden Ersatzteile sind noch 7 Jahre nach dem Auslaufen des Modells erhältlich: Thermostate, Temperatursensoren, Leiterplatten, Leuchtmittel, Türgriffe, Türscharniere, Ablagen und Körbe. Bitte beachten Sie, dass einige dieser Ersatzteile nur für professionelle Reparateure erhältlich sind, und dass nicht alle Ersatzteile für alle Modelle relevant sind.
- Türdichtungen sind noch 10 Jahre nach Auslauf des Modells erhältlich.

### 2.2 Installation



**ACHTUNG!** Die Installation dieses Geräts darf nur von einer qualifizierten Person durchgeführt werden.

- Die Verpackung vollständig entfernen.
- Ein beschädigtes Gerät darf nicht installiert oder verwendet werden.
- Beachten Sie die mit dem Gerät gelieferte Installationsanleitung.
- Seien Sie immer vorsichtig, wenn Sie das Gerät bewegen, da es schwer ist. Tragen Sie immer Schutzhandschuhe.
- Stellen Sie sicher, dass die Luft um das Gerät herum zirkulieren kann.
- Warten Sie mindestens 4 Stunden, bevor Sie das Gerät an das Stromnetz anschließen. Dies dient dazu, dass das Öl im Kompressor zurückfließen kann.
- Stellen Sie das Gerät nicht in der Nähe von Heizkörpern oder Herden, Backöfen oder Kochfeldern auf.
- Die Rückseite des Geräts muss an der Wand stehen.
- Installieren Sie das Gerät nicht an Orten, an denen es direkter Sonneneinstrahlung ausgesetzt ist.
- Stellen Sie das Gerät nicht in zu feuchten oder zu kalten Räumen auf, wie z. B. in Bauanhängern, Garagen oder

Weinkellern.

- Wenn Sie das Gerät bewegen, heben Sie es an der Vorderkante an, um Kratzer auf dem Boden zu vermeiden.

### 2.3 Elektrischer Anschluss



**ACHTUNG!** Brandgefahr und Gefahr eines elektrischen Schlages.



**ACHTUNG!** Achten Sie beim Aufstellen des Geräts darauf, dass das Netzkabel nicht eingeklemmt oder beschädigt wird.



**ACHTUNG!** Verwenden Sie keine Mehrfachstecker-Adapter und Verlängerungskabel.

- Das Gerät muss geerdet sein.
- Alle elektrischen Anschlüsse sollten von einer qualifizierten Elektrofachkraft vorgenommen werden.
- Vergewissern Sie sich, dass die elektrischen Angaben auf dem Typenschild mit dem Stromnetz übereinstimmen. Wenn nicht, wenden Sie sich an einen Elektriker.
- Verwenden Sie immer eine korrekt installierte Schutzkontaktsteckdose.
- Verwenden Sie keine Mehrfachstecker-Adapter und Verlängerungskabel.
- Achten Sie darauf, keine Schäden an den elektrischen Komponenten (z. B. Netzstecker, Netzkabel, Kompressor) zu verursachen. Wenden Sie sich zum Austausch der elektrischen Komponenten an den Service oder einen Elektriker.
- Das Netzkabel muss unterhalb der Höhe des Netzsteckers bleiben.
- Stecken Sie den Netzstecker erst am Ende der Installation in die Netzsteckdose. Stellen Sie sicher, dass der Netzstecker nach der Installation zugänglich ist.
- Ziehen Sie nicht am Netzkabel, um das Gerät auszustecken. Ziehen Sie immer am Netzstecker.
- Achten Sie beim Aufstellen des Geräts darauf, dass das Netzkabel nicht eingeklemmt oder beschädigt wird.
- Bringen Sie keine Mehrfachsteckdosen oder tragbare Netzteile an der Rückseite des Geräts an.

## 2.4 Verwendung



**ACHTUNG!** Verletzungsgefahr, Verbrennungsgefahr, Stromschlag oder Brandgefahr.



Das Gerät enthält brennbares Gas, Isobutan (R600a), ein Erdgas mit hoher Umweltverträglichkeit. Achten Sie darauf, dass der Kältemittelkreislauf, der Isobutan enthält, nicht beschädigt wird.

- Ändern Sie nicht die Spezifikation dieses Geräts.
- Stellen Sie keine elektrischen Geräte (z. B. Eismaschinen) in das Gerät, es sei denn, sie sind vom Hersteller als geeignet angegeben.
- Wenn der Kältemittelkreislauf beschädigt ist, stellen Sie sicher, dass sich keine Flammen und Zündquellen im Raum befinden. Belüften Sie den Raum.
- Lassen Sie keine heißen Gegenstände die Kunststoffteile des Gerätes berühren.
- Stellen Sie keine Softdrinks in das Gefrierfach. Dadurch wird Druck auf den Getränkebehälter erzeugt.
- Lagern Sie keine brennbaren Gase und Flüssigkeiten im Gerät.
- Legen Sie keine brennbaren Produkte oder Gegenstände, die mit brennbaren Produkten benetzt sind, in, neben oder auf das Gerät.
- Berühren Sie nicht den Kompressor oder den Kondensator. Sie sind heiß.

## 2.5 Innenlicht



**ACHTUNG!** Gefahr eines elektrischen Schlages

- Betrifft die Lampe(n) im Inneren dieses Produkts und separat erhältliche Ersatzteillampen: Diese Lampen sind dafür vorgesehen, extremen physikalischen Bedingungen in Haushaltsgeräten standzuhalten, wie z. B. Temperatur, Vibration, Feuchtigkeit, oder sie sollen Informationen über den Betriebszustand des Geräts signalisieren. Sie sind nicht für andere Anwendungen vorgesehen und nicht für die Raumbeleuchtung im Haushalt geeignet.

## 2.6 Pflege und Reinigung



**ACHTUNG!** Verletzungsgefahr und Gefahr der Beschädigung des Geräts.

- Schalten Sie das Gerät vor der Wartung aus und ziehen Sie den Netzstecker aus der Netzsteckdose.
- Dieses Gerät enthält Kohlenwasserstoffe in der Kühleinheit. Nur eine qualifizierte Person darf die Wartung und das Aufladen des Geräts durchführen.
- Überprüfen Sie regelmäßig den Abfluss des Geräts und reinigen Sie ihn bei Bedarf. Wenn der Abfluss verstopft ist, sammelt sich Tauwasser im Boden des Geräts.
- Der Staub hinter dem Weinkeller und auf dem Boden sollte rechtzeitig gereinigt werden, um die Kühlwirkung zu verbessern und Energie zu sparen.
- Der Innenraum des Weinkühlschranks sollte regelmäßig gereinigt werden, um Geruchsbildung zu vermeiden.
- Prüfen Sie die Türdichtung regelmäßig, um sicherzustellen, dass keine Ablagerungen vorhanden sind.
- Bitte schalten Sie vor der Reinigung den Strom aus, entfernen Sie alle Lebensmittel, Einlegeböden, Schubladen usw.
- Reinigen Sie die Türdichtung mit milder Seife und Wasser.
- Verwenden Sie ein weiches Tuch oder einen Schwamm, um die Innenseite des Weinkühlschranks mit zwei Esslöffeln Backpulver und einem Liter warmem Wasser zu reinigen. Spülen Sie dann mit Wasser nach und wischen Sie den Weinkühlschranks sauber. Öffnen Sie die Tür und trocknen Sie sie auf natürliche Weise, bevor Sie den Strom wieder einschalten.
- Bei schwer zu reinigenden Stellen im Weinkühlschranks (z. B. schmale Zwischenräume, Spalten oder Ecken) empfiehlt es sich, diese regelmäßig mit einem weichen Lappen, einer weichen Bürste usw. abzuwischen, ggf. in Kombination mit einigen Hilfsmitteln (z. B. dünnen Stöcken), um sicherzustellen, dass sich in diesen Bereichen keine Verunreinigungen ansammeln.
- Verwenden Sie keine Seife, Reinigungsmittel, Scheuerpulver, Sprühreiniger usw., da diese Gerüche im Inneren des Weinkühlschranks verursachen können.
- Reinigen Sie den Flaschenrahmen, die

Einlegeböden und Schubladen mit einem milden Reinigungsmittel und trocknen Sie sie mit einem weichen Tuch.

- Wischen Sie die Außenflächen des Weinkühlschranks mit einem weichen, mit Seifenwasser, Spülmittel usw. befeuchteten Tuch ab und wischen Sie anschließend trocken.
- Verwenden Sie zum Reinigen des Weinkühlschranks keine harten Bürsten, Reinigungsstahlkugeln, Drahtbürsten, Scheuermittel wie Zahnpasta, organische Lösungsmittel (wie Alkohol, Aceton, Bananenöl usw.), kochendes Wasser, Säuren oder Laugen, da dies die Oberfläche und das Innere des Kühlschranks beschädigen kann. Kochendes Wasser und Benzol können Kunststoffteile verformen oder beschädigen.
- Spülen Sie nicht mit Wasser nach, um die elektrischen Isolationseigenschaften nicht zu beeinträchtigen.

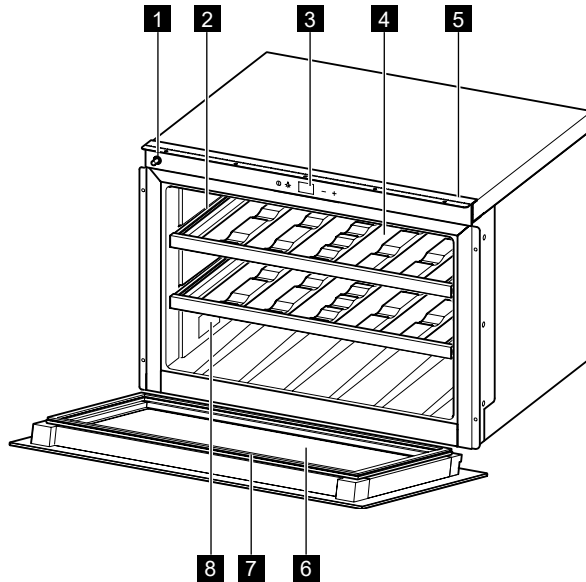
## 2.7 Entsorgung



**WARNHINWEIS!** Verletzungs- oder Erstickungsgefahr

- Trennen Sie das Gerät von der Netzversorgung.
- Schneiden Sie das Netzkabel ab und entsorgen Sie es.
- Entfernen Sie den Deckel, um zu verhindern, dass Kinder und Haustiere in das Innere des Geräts gelangen.
- Der Kältemittelkreislauf und die Isoliermaterialien dieses Geräts sind ozonfreundlich.
- Der Isolierschaum enthält brennbares Gas. Wenden Sie sich an Ihre Gemeindeverwaltung, um Informationen über die korrekte Entsorgung des Geräts zu erhalten.
- Beschädigen Sie nicht den Teil des Kühlgeräts, der sich in der Nähe des Wärmetauschers befindet.

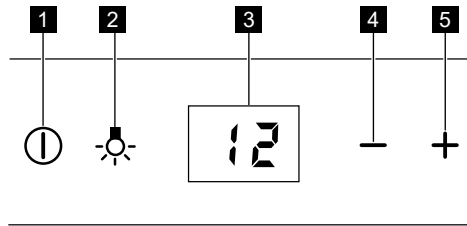
## 3. PRODUKTBESCHREIBUNG



- 1** Türfreigabemechanismus
- 2** Teleskop-Läufer
- 3** Bedienfeld
- 4** Regale

- 5** Befestigungsleiste
- 6** Tür
- 7** Dichtung
- 8** Typenschild

## 4. BEDIENFELD



- 1** EIN-/AUS-TASTE
- 2** Lichttaste
- 3** Anzeige

- 4** Taste kältere Temperatur
- 5** Taste wärmere Temperatur

### 4.1 Ein-/Aus-Schalter und Temperatureinstellung

Um das Gerät einzuschalten, drücken Sie die EIN-/AUS-Taste.

Die Anzeige zeigt die eingestellte Standardtemperatur an (12°C).

Die Temperatur kann von 5° bis 20°C (mit Schritten von 1°C) durch Berühren der Taste +/- eingestellt werden.

Um das Gerät abzuschalten, drücken Sie die EIN-/AUS-Taste 5 Sekunden lang.

### 4.2 Lichttaste

Wenn die Tür geöffnet ist, leuchtet die LED-Anzeige, wenn sie geschlossen ist, ist sie aus. Wenn Sie das Licht mit geschlossener Tür eingeschaltet haben wollen, öffnen Sie die Tür und drücken die Lichttaste.

Wenn Sie die Standardbedingungen wieder herstellen möchten, drücken Sie die Lichttaste erneut.

### 4.3 Anzeige

Die Anzeige zeigt die eingestellte Temperatur und die Fehlermeldungen an, wenn der Demo-Modus gewählt ist und die Tasten gesperrt sind.

### 4.4 Tastenverriegelungs-Modus

Drücken Sie die Taste + und die Lichttaste 3 Sekunden lang, um den Tastenverriegelungs-Modus zu aktivieren.

Das Gerät arbeitet mit den letzten Einstellungen weiter.

Zur Deaktivierung des Tastenverriegelungs-Modus führen Sie dasselbe Verfahren durch.

Durch Auswahl dieser Funktion erscheint die Nachricht „bl“ auf der Anzeige, wenn Sie eine Taste berühren.

### 4.5 Demo-Modus

DEMO-MODUS wurde für Ausstellungen und Ausstellungsraum angelegt.

Die Anzeige ist EIN, mit der Möglichkeit, die Temperaturen zu ändern, der Kühlmodus ist aber AUS.




Zur Aktivierung oder Deaktivierung des DEMO-MODUS drücken Sie 3 Sekunden lang gleichzeitig + und -.

Die innere LED-Leuchte kann auch EINGESCHALTET bleiben, wenn die Tür geschlossen ist.

Drücken Sie die Lichttaste zur Aktivierung des Licht EIN-Modus.

## 5. GEBRAUCH

### 5.1 Tägliche Verwendung

-  Dieses Gerät ist ausschließlich für die Lagerung von Wein bestimmt
-  Das Weinlagerfach ist dasjenige, das (auf dem Typenschild) mit  markiert ist

#### Reinigung

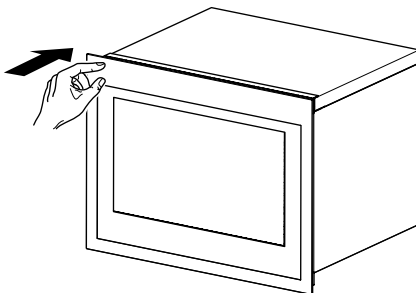
Bevor Sie das Gerät zum ersten Mal benutzen reinigen Sie den Innenraum und alle inneren Zubehörteile mit lauwarmem Wasser und etwas Neutralseife, um den typischen Geruch eines fabrikneuen Produkts zu entfernen, trocknen Sie es anschließend gründlich ab.

- Längeres Öffnen der Tür kann zu einem deutlichen Anstieg der Temperatur in den Fächern des Geräts führen.
- Reinigen Sie regelmäßig Oberflächen, die mit Lebensmitteln in Berührung kommen können, und zugängliche Abflusssysteme.
- Lagern Sie rohes Fleisch und Fisch in geeigneten Behältern im Weinkeller, so dass es nicht mit anderen Lebensmitteln in Berührung kommt oder auf diese tropft.
- Wenn das Kühlgerät längere Zeit nicht benutzt wird, schalten Sie es aus, tauen Sie es ab, reinigen und trocknen Sie es und lassen Sie die Tür offen, um Schimmelbildung im Gerät zu vermeiden.

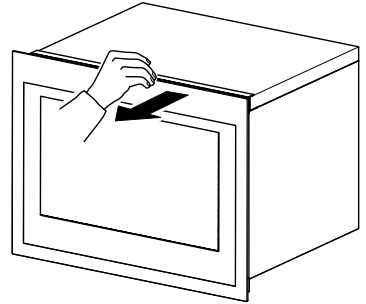
### 5.2 Türöffnung

Öffnen der Tür:


- um die Tür zu öffnen, drücken Sie gegen das linke Türblatt.



- oder ziehen Sie an ihr.



### 5.3 Erste Benutzung

-  Bevor Sie das Gerät zum ersten Mal benutzen, waschen Sie den Innenraum und alle inneren Zubehörteile mit lauwarmem Wasser und etwas neutraler Seife und trocknen dann gründlich.



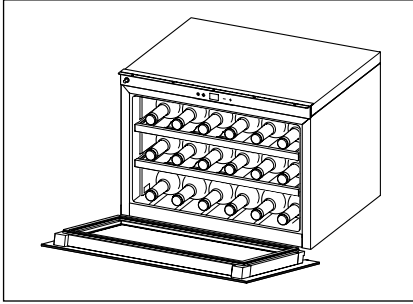
Verwenden Sie keine Reinigungs- oder Scheuermittel, da diese die Oberfläche beschädigen.

Um das Gerät einzuschalten, drücken Sie die EIN-/AUS-Taste und stellen die Temperatur nach dem gelagerten Wein ein.

### 5.4 Funktion Temperaturem-nerung

Im Falle eines Stromausfalls kann sich der Weinkeller an die vorherige Temperatureinstellung erinnern, und wenn die Stromversorgung wiederhergestellt ist, geht die Temperatur wieder auf die ursprüngliche zurück.

## 5.5 Weinlagerung



Die Lagerungszeit für Wein hängt von der Alterung, der Traubenart, dem Alkoholgehalt und dem Gehalt an Fruktose und Tannin ab. Prüfen Sie beim Kauf, ob der Wein bereits gealtert ist oder im Laufe der Zeit besser wird.

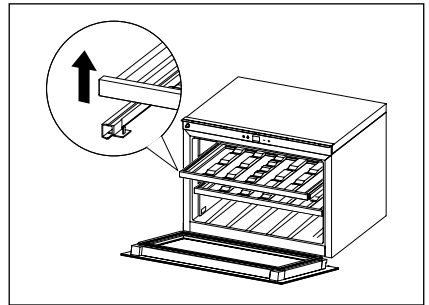
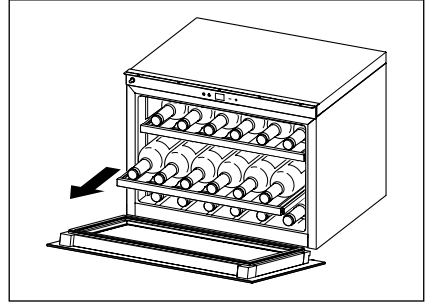
Empfohlene Aufbewahrungstemperatur:

- Champagner/Prosecco und Schaumweine +6 bis +8°C
- Weißweine +10 bis +12°C
- Rosé-Weine +12 bis +16°C
- Rotweine +14 bis +18°C

(für 750 ml Bordeaux-Flaschen)

Gesamt: 18 Flaschen

## 5.6 Weinregale



- Für einen leichten Zugang zu den Flaschen ziehen Sie die Regale aus dem Schienenfach.

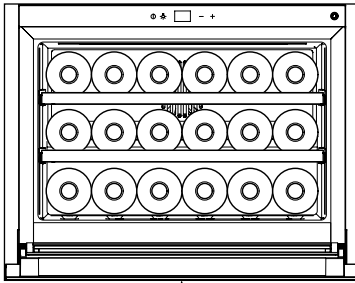


Um die Tür nicht zu beschädigen, sorgen Sie dafür, dass sie vollständig geöffnet ist, wenn Sie Regale herausziehen.

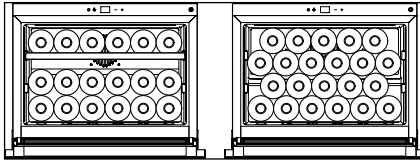
- Um die Holzregale zu entfernen oder zu montieren, heben oder schieben Sie das Regal.

- Standardkonfiguration

Lagerung von bis zu 18 Bordeaux-Flaschen mit 6 Flaschen auf jeder Ebene.



Die erste Ebene dient zur Lagerung größerer und höherer Flaschen.



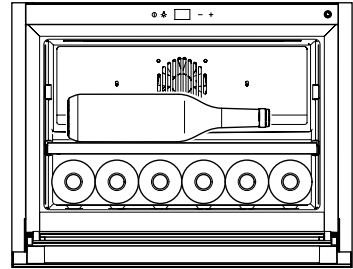
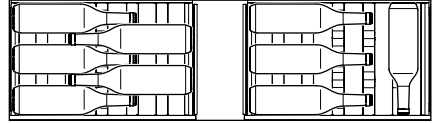
Geeignet für große und hohe Flaschen.

Durch Entfernen der Regale kann das Fassungsvermögen wie in der Abbildung gezeigt vergrößert werden.



**WARNUNG!** Bitte stellen Sie in diesem Fall sicher, dass die Flaschen nicht mit der Rückwand der Kammer in Berührung kommen.

- Horizontale Konfiguration



Um große und hohe Flaschen auf dem zweiten Regal einfach zu lagern, kann das obere Regal wie in der Abbildung gezeigt herausgenommen werden.

## 6. HINWEISE UND TIPPS

### Normale Betriebsgeräusche

Die folgenden Geräusche sind während des Betriebs normal:

- Ein schwaches gurgelndes und blubberndes Geräusch aus den Spulen, wenn Kältemittel gepumpt wird.
- Ein surrendes und pulsierendes Geräusch aus dem Kompressor, wenn Kältemittel gepumpt wird.
- Ein plötzliches knackendes Geräusch aus dem Inneren des Geräts, das durch thermische Ausdehnung verursacht

wird (ein natürliches und nicht gefährliches physikalisches Phänomen).

- Ein schwaches Klickgeräusch vom Temperaturregler, wenn der Kompressor ein- oder ausgeschaltet wird.

### Hinweise zum Energiesparen

- Öffnen Sie die Tür nicht häufig und lassen Sie sie nicht länger als unbedingt nötig offen.

# 7. INSTALLATION

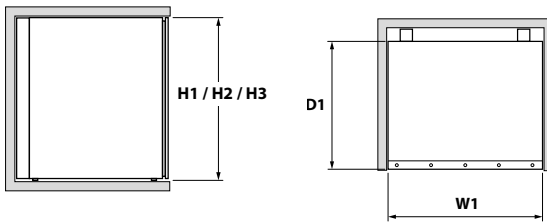
## 7.1 Positionierung

Um das Gerät herum sollte genügend Belüftung sein, um Überhitzung zu vermeiden. Befolgen Sie die Installationsanleitung, um eine ausreichende Belüftung zu erhalten.

Installieren Sie dieses Gerät an einem Ort, an dem die Umgebungstemperatur der Klimaklasse entspricht, die auf dem Typenschild des Gerätes angegeben ist:

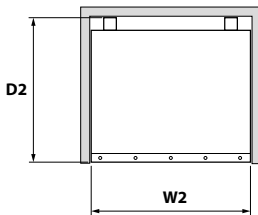
Klimaklasse	Umgebungstemperatur
SN	+10 °C bis +32 °C
N	+16 °C bis +32 °C
ST	+16 °C bis +38 °C
T	+16 °C bis +43 °C

Gesamt-maße



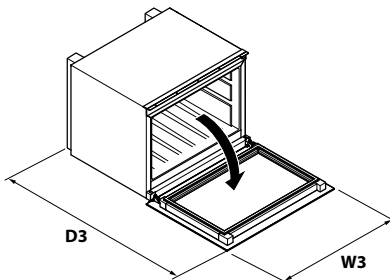
Gesamt-maße	H1	455
	W1	596
	D1	566

Platzbedarf im Einsatz



Platzbedarf im Einsatz	H2	455
	W2	596
	D2	571

Gesamter Platzbedarf im Einsatz



Gesamter Platzbedarf im Einsatz	H3	455
	W3	596
	D3	1026



## 8. PFLEGE UND WARTUNG



**VORSICHT!** Stecken Sie vor Wartungsarbeiten das Gerät aus.



Dieses Gerät enthält Kohlenwasserstoffe in seiner Kühleinheit; Wartung und Wiederaufladung dürfen daher nur von autorisierten Technikern durchgeführt werden.

- Reinigen Sie das Innere und Zubehörteile mit lauwarmem Wasser und etwas Neutraleife.
- Überprüfen Sie regelmäßig die Türdichtungen und wischen Sie sie ab, um sicherzustellen, dass sie sauber und schmutzfrei sind.
- Gründlich spülen und trocknen.

### 8.1 Regelmäßige Reinigung

Die Anlage muss regelmäßig gereinigt werden.



Ziehen, bewegen oder beschädigen Sie keine Rohre und/oder Kabel im Schrank.

Verwenden Sie niemals Reinigungsmittel, Scheuerpulver, stark parfümierte Reinigungsmittel oder Wachspolituren, um das Innere zu reinigen, da dies die Oberfläche beschädigt und einen starken Geruch hinterlässt.

- Waschen Sie die Innenflächen mit einer Warmwasser- und Backpulverlösung. In einem Quart Wasser sollten etwa 2 Esslöffel Backpulver sein.
- Waschen Sie die Regale mit einer milden Reinigungslösung.
- Wringen Sie überschüssiges Wasser aus dem Schwamm oder Tuch, wenn Sie den Bereich mit den Steuerungen oder irgendwelche elektrischen Teile reinigen.

### 8.2 Stillstandszeiten

Wenn das Gerät lange nicht benutzt wird, ergreifen Sie folgende Vorsichtsmaßnahmen:

- Stecken Sie das Gerät aus.
- Entfernen Sie alle Gegenstände.
- Reinigen Sie das Gerät und alles Zubehör.
- Lassen Sie die Tür offen, um unangenehme Gerüche zu vermeiden.

## 9. ANLEITUNG ZUR FEHLERSUCHE

Sie können viele gängige Weinkeller-Probleme einfach lösen und sich die Kosten eines möglichen Serviceabrufs sparen. Probieren Sie die Vorschläge aus.

Problem	Mögliche Ursache	Lösung
Weinkeller funktioniert nicht.	<ul style="list-style-type: none"> <li>• Nicht eingesteckt.</li> <li>• Das Gerät ist abgeschaltet.</li> <li>• Der Leistungsschalter wurde betätigt.</li> <li>• Demomodus ist aktiv.</li> </ul>	<ul style="list-style-type: none"> <li>• Bitte das Gerät anschließen.</li> <li>• Bitte das Gerät EINSCHALTEN.</li> <li>• Den Leistungsschalter einschalten.</li> <li>• Den Demomodus deaktivieren (+/- 3 Sek. lang drücken).</li> </ul>
Weinkeller ist nicht kühl genug.	<ul style="list-style-type: none"> <li>• Die Einstellung der Temperaturregelung prüfen.</li> <li>• Die Tür ist nicht vollständig geschlossen.</li> <li>• Die Türdichtung dichtet nicht richtig ab.</li> </ul>	<ul style="list-style-type: none"> <li>• Die eingestellte Temperatur überprüfen.</li> <li>• Die Schließung der Tür überprüfen.</li> <li>• Die Türdichtung mit einem feuchten Schwamm mit Neutral - Reinigungsmittel und Wasser reinigen.</li> </ul>
Der Kompressor arbeitet ständig.	<ul style="list-style-type: none"> <li>• Die Raumtemperatur ist höher als sonst.</li> <li>• Die Tür wird zu oft geöffnet.</li> <li>• Die Tür ist nicht vollständig geschlossen.</li> <li>• Die Türdichtung dichtet nicht richtig ab.</li> </ul>	<ul style="list-style-type: none"> <li>• Die Raumtemperatur überprüfen.</li> <li>• Die Tür nicht länger als nötig offen lassen.</li> <li>• Überprüfen, ob die Tür vollständig geschlossen ist.</li> <li>• Den Zustand der Dichtung überprüfen und sie gegebenenfalls mit einem feuchten Schwamm mit Neutral-Reinigungsmittel und Wasser reinigen.</li> </ul>
Das Licht funktioniert nicht.	<ul style="list-style-type: none"> <li>• Nicht eingesteckt.</li> <li>• Der Leistungsschalter wurde betätigt.</li> <li>• Die LED ist ausgebrannt.</li> <li>• Die Lichttaste funktioniert nicht.</li> </ul>	<ul style="list-style-type: none"> <li>• Bitte das Gerät anschließen.</li> <li>• Den Leistungsschalter einschalten.</li> <li>• Den Service kontaktieren.</li> <li>• Den Service kontaktieren.</li> </ul>
Übermäßige Vibration.	<ul style="list-style-type: none"> <li>• Überprüfen, ob der Weinkeller eben ist.</li> </ul>	<ul style="list-style-type: none"> <li>• Das Gerät ausgleichen.</li> </ul>
Übermäßiges Geräusch.	<ul style="list-style-type: none"> <li>• Das ratternde Geräusch kommt vielleicht von dem Durchfluss des Kältemittels. Das ist normal.</li> <li>• Zusammenziehen und Ausdehnung der Innenwände können zu knallenden und knisternden Geräuschen führen.</li> <li>• Der Weinkeller ist nicht ausgeglichen.</li> <li>• Der Lüfter ist schmutzig.</li> </ul>	<ul style="list-style-type: none"> <li>• Das Gerät ausgleichen.</li> <li>• Den Staub vom Lüfter entfernen.</li> <li>• Sollten die Geräusche lauter werden, wenden Sie sich an den Service.</li> </ul>
Die Tür schließt nicht richtig.	<ul style="list-style-type: none"> <li>• Der Weinkeller ist nicht ausgeglichen.</li> <li>• Die Tür war nicht richtig fest.</li> <li>• Die Dichtung ist schmutzig.</li> </ul>	<ul style="list-style-type: none"> <li>• Das Gerät ausgleichen.</li> <li>• Die Schließung der Tür überprüfen.</li> <li>• Die Türdichtung mit einem feuchten Schwamm mit Neutral-Reinigungsmittel und Wasser reinigen.</li> </ul>
Akustischer Alarm	<ul style="list-style-type: none"> <li>• Die Tür ist nicht geschlossen (der Alarm dauert 30 Min).</li> </ul>	<ul style="list-style-type: none"> <li>• Die Tür schließen.</li> </ul>
E3 wird angezeigt	<ul style="list-style-type: none"> <li>• Die Tür wurde über 30 Min. offen gelassen.</li> <li>• Tür-Reedschalter ist kaputt.</li> </ul>	<ul style="list-style-type: none"> <li>• Die Tür schließen.</li> <li>• Den Service kontaktieren.</li> </ul>
E1 wird angezeigt und akustischer Alarm ertönt alle 5 Minuten.	<ul style="list-style-type: none"> <li>• Die Temperatur im Weinkeller befindet sich außerhalb des Bereichs von -20°C +60°C</li> <li>• Der Temperatursensor ist außer Betrieb oder ausgesteckt.</li> </ul>	<ul style="list-style-type: none"> <li>• Fehlende Wärme von den nächsten Geräten überprüfen.</li> <li>• Den Service kontaktieren.</li> </ul>
E2 wird angezeigt	<ul style="list-style-type: none"> <li>• Die nächsten Geräte strahlen Wärme aus.</li> <li>• Die Umgebungstemperatur befindet sich außerhalb des Bereichs der Produkt-Klimaklasse.</li> <li>• Kompressor oder Lüfter nicht in Betrieb.</li> </ul>	<ul style="list-style-type: none"> <li>• Fehlende Wärme von den nächsten Geräten überprüfen.</li> <li>• Überprüfen, ob das Produkt an einem Ort mit einer Umgebungstemperatur installiert ist, die innerhalb der erklärten Produkt-Klimaklasse liegt.</li> <li>• Den Service kontaktieren.</li> </ul>

## 10. TECHNISCHE INFORMATIONEN

### Technische Daten

Die technischen Informationen befinden sich auf dem Typenschild an der Innenseite des Geräts und auf dem Energielabel.

Der QR-Code auf dem mit dem Gerät gelieferten Energieetikett bietet einen Weblink zu den Informationen über die Leistung des Geräts in der EU EPREL-Datenbank. Bewahren Sie das Energieetikett zusammen mit dem Benutzerhandbuch und allen anderen mit dem Gerät gelieferten Dokumenten als Referenz auf.

Es ist auch möglich, die gleichen Informationen in EPREL zu finden, indem Sie den Link <https://eprel.ec.europa.eu> und den Modellnamen und die Produktnummer, die Sie auf dem Typenschild des Geräts finden, verwenden. Unter dem Link [www.theenergylabel.eu](http://www.theenergylabel.eu) finden Sie detaillierte Informationen zum Energielabel.

Die technischen Informationen befinden sich auf dem Typenschild, auf der Aussenseite oder Innenseite des Geräts und auf dem Energielabel.


## 11. INFORMATIONEN FÜR PRÜFINSTITUTE

Die Installation und Vorbereitung des Geräts für eine EcoDesign-Prüfung muss der EN 62552 entsprechen.

Belüftungsanforderungen, Einbaumaße und rückseitige Mindestabstände müssen den Angaben in dieser Bedienungsanleitung in Kapitel 6 entsprechen. Für weitere Informationen, einschließlich Beladungsplänen, wenden Sie sich bitte an den Hersteller.

## 12. UMWELTANLIEGEN



Das Symbol  auf dem Produkt oder auf der Verpackung weist darauf hin, dass dieses Produkt nicht als Hausmüll behandelt werden darf.


Stattdessen sollte es zu einer entsprechenden Sammelstelle für das Recycling von elektrischen und elektronischen Geräten gebracht werden.

Indem Sie sicherstellen, dass dieses Produkt ordnungsgemäß entsorgt wird, tragen Sie dazu bei, mögliche negative Folgen für die Umwelt und die menschliche Gesundheit zu vermeiden, die andernfalls durch unsachgemäße Abfallbehandlung dieses Produkts verursacht werden könnten.

Nähere Informationen zum Recycling dieses Produkts erhalten Sie bei Ihrer Gemeindeverwaltung, Ihrem Hausmüllentsorgungsdienst oder dem Geschäft, in dem Sie das Produkt gekauft haben.

### Verpackungsmaterialien



Die Materialien mit dem Symbol  sind recycelbar. Entsorgen Sie die Verpackung in geeigneten Sammelbehältern, um sie zu recyceln.

## SOMMARIO

1. INFORMAZIONI SULLA SICUREZZA.....	45
2. ISTRUZIONI PER LA SICUREZZA.....	47
3. DESCRIZIONE DEL PRODOTTO.....	49
4. PANNELLO DI CONTROLLO.....	50
5. UTILIZZO.....	51
6. SUGGERIMENTI E CONSIGLI.....	53
7. INSTALLAZIONE.....	54
8. CURA E MANUTENZIONE.....	55
9. GUIDA PER LA RISOLUZIONE DEI PROBLEMI.....	56
10. INFORMAZIONI TECNICHE.....	57
11. INFORMAZIONI PER GLI ISTITUTI DI VERIFICA.....	57
12. PROBLEMI AMBIENTALI.....	57

## PER RISULTATI PERFETTI

Grazie per aver scelto questo prodotto AEG. Lo abbiamo creato per offrirvi prestazioni impeccabili per molti anni, grazie a tecnologie innovative che semplificano la vita, caratteristiche che potreste non trovare nei dispositivi comuni. Bastano pochi minuti per leggere e ottenere il massimo da questo dispositivo.

Visitare il nostro sito web per:



Ottenere consigli sull'utilizzo, brochure, guide per la risoluzione dei problemi, informazioni sui servizi:

**[www.aeg.com](http://www.aeg.com)**



Registrare il prodotto per una migliore assistenza:

**[www.registeraeg.com](http://www.registeraeg.com)**



Acquistare accessori, consumabili e parti di ricambio originali per il dispositivo:

**[www.aeg.com/shop](http://www.aeg.com/shop)**

## CURA E MANUTENZIONE DA PARTE DEL CLIENTE

Si raccomanda di utilizzare parti di ricambio originali.

Quando si contatta l'assistenza, avere a portata di mano i seguenti dati.

Le informazioni sono reperibili sulla targhetta: modello, codice articolo, numero di serie.



Avvertenza / Attenzione - Informazioni sulla sicurezza.



Informazioni generali e consigli.



Informazioni ambientali.

Soggetto a modifiche senza preavviso.

# 1. INFORMAZIONI SULLA SICUREZZA

Prima di installare e usare il dispositivo, leggere attentamente le istruzioni fornite. Il produttore non ha alcuna responsabilità se installazioni o utilizzi errati causano lesioni e danni. Conservare le istruzioni sempre con il dispositivo per riferimenti futuri.

## 1.1 Sicurezza dei bambini e delle persone vulnerabili

- Questo dispositivo può essere usato dai bambini dagli 8 anni in su e dalle persone con ridotte capacità fisiche, sensoriali o cognitive o prive di esperienza e conoscenze a condizione che siano soggette a sorveglianza o siano state dotate delle istruzioni relative all'uso del dispositivo in modo sicuro e comprendano i pericoli coinvolti.
- Questo dispositivo può essere usato dai bambini di età compresa tra 3 e 8 anni e da persone con disabilità molto estese e complesse, purché correttamente istruite.
- I bambini di età inferiore a 3 anni devono essere tenuti lontano dal dispositivo a meno che non vengano costantemente sorvegliati.
- Non lasciare che i bambini giochino con il dispositivo.
- I bambini non devono eseguire operazioni di pulizia e manutenzione sul dispositivo senza sorveglianza.
- Tenere tutto il materiale di imballaggio lontano dai bambini e smaltirlo correttamente.

## 1.2 Sicurezza generali

- Questo dispositivo deve essere usato nelle applicazioni domestiche e di natura simile come:
  - Casolari, cucine per il personale di negozi, uffici e altri ambienti di lavoro

- Hotel, motel, bed & breakfast e altri ambienti di tipo residenziale
- Usare questo dispositivo esclusivamente per la conservazione di vino.
- **AVVERTENZA:** mantenere completamente libere le aperture di ventilazione nell'unità del dispositivo o nella struttura integrata.
- **AVVERTENZA:** non utilizzare dispositivi meccanici o altri mezzi per accelerare il processo di scongelamento, se non quelli raccomandati dal produttore.
- **AVVERTENZA:** non danneggiare il circuito refrigerante.
- **AVVERTENZA:** non usare dispositivi elettrici all'interno dei vani di conservazione alimenti del dispositivo, a meno che non siano del tipo raccomandato dal produttore.
- Non spruzzare acqua né vapore per pulire il dispositivo.
- Pulire il dispositivo con un panno morbido e umido. Usare solo detergenti neutri. Non usare prodotti abrasivi, spugne abrasive, solventi o oggetti di metallo.
- In questo dispositivo non conservare sostanze esplosive come bombolette spray con propellente infiammabile.
- Se il cavo di alimentazione è danneggiato, deve essere sostituito dal produttore, un suo agente di assistenza o da personale analogamente qualificato al fine di evitare pericoli.
- Questo dispositivo non è previsto per usi professionali né commerciali

## 2. ISTRUZIONI PER LA SICUREZZA

### 2.1 Assistenza

- Per riparare il dispositivo contattare un centro di assistenza autorizzato. Usare solo parti di ricambio originali.
- Nota: riparazioni fatte in autonomia o non professionali possono avere delle conseguenze sulla sicurezza e potrebbero annullare la garanzia.
- Le seguenti parti di ricambio saranno disponibili per 7 anni dopo la dismissione del modello: termostati, sensori di temperatura, schede di circuito stampato, fonti di luce, maniglie per sportello, cerniere per sportello, ripiani e cestelli. Nota: alcune di queste parti di ricambio sono disponibili solo per i riparatori professionisti e non tutte le parti di ricambio sono rilevanti per tutti i modelli.
- Le guarnizioni per sportello saranno disponibili per 10 anni dopo la dismissione del modello.

### 2.2 Installazione



**AVVERTENZA!** Solo una persona qualificata deve installare questo dispositivo.

- Rimuovere tutto il materiale di imballo.
- Non installare né usare un dispositivo danneggiato.
- Seguire le istruzioni di installazione fornite con il dispositivo.
- Prestare sempre attenzione quando si sposta il dispositivo perché è pesante. Indossare sempre i guanti di sicurezza.
- Verificare che l'aria possa circolare attorno al dispositivo.
- Attendere almeno 4 ore prima di collegare il dispositivo all'alimentazione. In questo modo l'olio può refluire nel compressore.
- Non installare il dispositivo vicino a radiatori o fornelli, forni o piani cottura.
- La parte posteriore del dispositivo deve rimanere posizionata contro la parete.
- Non installare il dispositivo in un punto raggiunto dalla luce solare diretta.
- Non installare questo dispositivo in zone troppo umide o troppo fredde, come edifici di servizio, garage o cantine.
- Quando si sposta il dispositivo, sollevarlo dal bordo anteriore al fine di non graffiare il pavimento.

### 2.3 Collegamento elettrico



**AVVERTENZA!** Rischio di incendio o scosse elettriche.



**AVVERTENZA!** Quando si posiziona il dispositivo, verificare che il cavo di alimentazione non sia intrappolato o danneggiato.



**AVVERTENZA!** Non usare adattatori multi-presa né cavi di prolunga.

- Il dispositivo deve essere collegato a terra.
- Tutti i collegamenti elettrici devono essere realizzati da un elettricista qualificato.
- Verificare che i dati elettrici riportati sulla targhetta corrispondano all'alimentazione. Se no, contattare un elettricista.
- Usare sempre una presa resistente agli urti, correttamente installata.
- Non usare adattatori multi-presa né cavi di prolunga.
- Accertarsi di non causare danni ai componenti elettrici (ad es. spina di alimentazione, cavo di alimentazione, compressore). Contattare l'assistenza o un elettricista per cambiare i componenti elettrici.
- Il cavo di alimentazione deve rimanere sotto il livello della spina di alimentazione.
- Collegare la spina di alimentazione alla presa di alimentazione solamente al termine dell'installazione. Dopo l'installazione verificare che si possa accedere alla spina di alimentazione.
- Non tirare il cavo di alimentazione per scollegare il dispositivo. Tirare sempre la spina di alimentazione.
- Quando si posiziona il dispositivo, verificare che il cavo di alimentazione non sia intrappolato o danneggiato.
- Non posizionare più prese multiple né generatori portatili sul retro del dispositivo.

## 2.4 Utilizzo



**AVVERTENZA!** Rischio di lesioni, ustioni, scosse elettriche o incendio.



Il dispositivo contiene gas infiammabile, isobutano (R600a), un gas naturale con un elevato livello di compatibilità ambientale. Prestare attenzione a non causare danni al circuito refrigerante contenente l'isobutano.

- Non cambiare le specifiche di questo dispositivo.
- Non mettere dispositivi elettrici (ad es. gelatiere) all'interno del dispositivo a meno che non sia esplicitamente indicato dal produttore.
- Se il circuito refrigerante si danneggia, verificare che non vi siano fiamme o fonti di ignizione nella stanza. Ventilare la stanza.
- Non mettere a contatto elementi caldi con le parti plastiche del dispositivo.
- Non inserire bibite nel vano freezer. Ciò aumenterà la pressione all'interno del contenitore della bevanda.
- Non conservare gas o liquidi infiammabili nel dispositivo.
- Non posizionare prodotti infiammabili o elementi bagnati che contengono prodotti infiammabili vicino o sul dispositivo.
- Non toccare il compressore o il condensatore perché sono caldi.

## 2.5 Luce interna



**AVVERTENZA!** Rischio di scosse elettriche.

- Informazioni sulle luci all'interno di questo prodotto e sulle luci di ricambio vendute separatamente: queste luci devono resistere a condizioni fisiche estreme all'interno degli elettrodomestici, come temperatura, vibrazione, umidità oppure devono segnalare informazioni sullo stato operativo del dispositivo. Non sono previste per l'uso in altri dispositivi né sono adatte all'illuminazione degli ambienti domestici.

## 2.6 Pulizia e cura



**AVVERTENZA!** Rischio di lesioni o danni al dispositivo.

- Prima della manutenzione, disattivare il dispositivo e scollegare la spina di alimentazione dalla presa di alimentazione.
- Questo dispositivo contiene degli idrocarburi nell'unità rinfrescante. Solo il personale qualificato deve eseguire le operazioni di manutenzione e la ricarica dell'unità.
- Esaminare regolarmente il drenaggio del dispositivo e, se necessario, pulirlo. Se il drenaggio è bloccato, l'acqua scongelata si raccoglie nel fondo del dispositivo.
- Pulire regolarmente la polvere formata dietro la cantina per vini e sul pavimento al fine di migliorare l'effetto rinfrescante e aumentare il risparmio energetico.
- La parte interna della cantina per vini deve essere pulita regolarmente per evitare la formazione di odori.
- Controllare regolarmente la guarnizione dello sportello per verificare che non vi siano detriti.
- Spegnerne il dispositivo prima della pulizia, rimuovere tutti i cibi, i ripiani, i cassetti, ecc.
- Pulire la guarnizione dello sportello con acqua e sapone delicato.
- Usare un panno morbido o una spugna per pulire l'interno della cantina per vini, usando due cucchiaini di bicarbonato e un quarto di acqua calda. Dopodiché, risciacquare con acqua e pulire, aprire lo sportello e lasciare asciugare naturalmente prima di riaccendere il dispositivo.
- Per le aree della cantina per vini difficili da pulire (come interstizi, rientranze o angoli), si consiglia di pulirle regolarmente con un panno morbido, uno scovolino morbido, ecc. e quando necessario, in combinazione con alcuni strumenti aggiuntivi (come bastoncini sottili) al fine di garantire nessun accumulo di contaminanti all'interno di queste aree.
- Non usare sapone, detergente, polvere abrasiva, detergente spray, ecc., poiché potrebbero causare la formazione



- di odori all'interno della cantina per vini.
- Pulire la struttura per bottiglie, i ripiani e i cassetti con un detergente delicato e asciugare con un panno morbido.
  - Pulire la superficie esterna della cantina per vini con un panno morbido inumidito con acqua e sapone, detergente, ecc., quindi asciugare.
  - Per pulire la cantina per vini, non usare scovolini con setole dure, sfere metalliche di pulizia, spazzole di ferro, abrasivi, come dentifricio, solventi organici (ad esempio alcol, acetone, olio di banana, ecc.), acqua bollente, elementi acidi o alcalini poiché potrebbero danneggiare la superficie esterna ed interna del frigorifero. L'acqua bollente e il benzene potrebbero deformare o danneggiare le parti di plastica.
  - Non risciacquare con acqua in modo da non alterare le proprietà di isolamento elettrico.

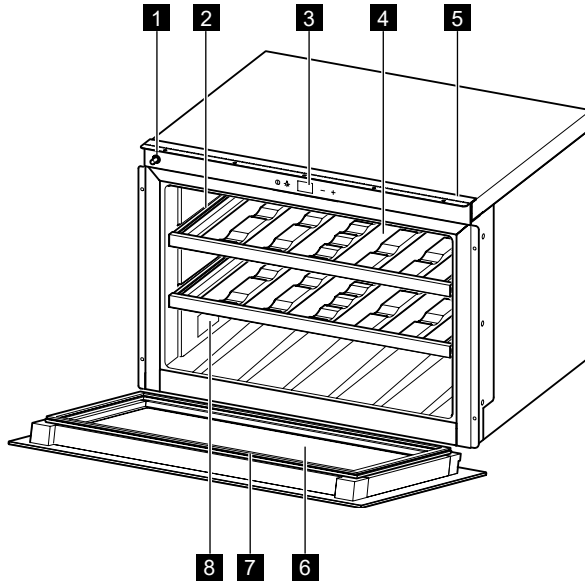
## 2.7 Smaltimento



**AVVERTENZA!** Rischio di lesioni o soffocamento.

- Scollegare il dispositivo dall'alimentazione.
- Rimuovere il cavo di alimentazione ed eliminarlo.
- Rimuovere il coperchio per evitare che bambini e animali rimangano chiusi all'interno del dispositivo.
- Il circuito refrigerante e i materiali di isolamento di questo dispositivo rispettano l'ambiente.
- La schiuma di isolamento contiene gas infiammabile. Contattare l'autorità municipale per informazioni su come eliminare correttamente il dispositivo.
- Non causare danni alla parte dell'unità rinfrescante vicina allo scambiatore di calore.

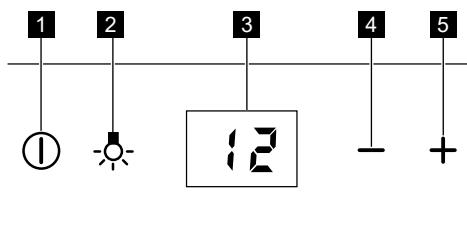
## 3. DESCRIZIONE DEL PRODOTTO



- 1** Meccanismo rilascio porta
- 2** Guide telescopiche
- 3** Pannello di controllo
- 4** Ripiani

- 5** Barra di fissaggio
- 6** Porta
- 7** Guarnizione
- 8** Targhetta

## 4. PANNELLO DI CONTROLLO



- 1** Tasto ON/OFF
- 2** Tasto luce
- 3** Display

- 4** Tasto temperatura più fredda
- 5** Tasto temperatura più calda

### 4.1 Interruttore on/off e impostazione della temperatura

Per accendere il dispositivo premere il tasto ON/OFF.

Il display visualizza la temperatura predefinita impostata (12 °C).

Premendo il tasto -/+ è possibile regolare la temperatura da 5 a 20 °C (con incrementi di 1 °C).

Per spegnere il dispositivo premere il tasto ON/OFF per 5 secondi.

### 4.2 Tasto luce

Quando la porta è aperta, la luce a LED è accesa, quando è chiusa, la luce è spenta. Se si vuole mantenere la luce accesa con la porta chiusa, aprire la porta e premere il tasto luce.

Per ripristinare le condizioni standard, premere nuovamente il tasto luce.

### 4.3 Display

Il display visualizza la temperatura impostata, i messaggi di errore, se è selezionata la modalità demo e se i tasti sono bloccati.

### 4.4 Modalità Blocco tasti

Per attivare la modalità Blocco tasti, premere il tasto + e il tasto luce per 3 secondi. Il dispositivo continuerà a funzionare con le ultime impostazioni.

Per disattivare la modalità Blocco tasti, eseguire la stessa procedura.

Selezionando questa funzione, quando si tocca qualsiasi tasto, sul display appare il messaggio "bl".

### 4.5 Modalità Demo

La MODALITÀ DEMO è stata creata per il funzionamento durante fiere e showroom.

Il display è ACCESO, con la possibilità di modificare le temperature, ma il motore di raffreddamento è SPENTO.

Per attivare o disattivare la MODALITÀ DEMO, premere contemporaneamente i tasti + e - per 3 secondi.

È possibile mantenere ACCESA la luce a LED interna anche quando la porta è chiusa.

Per attivare la modalità luce ACCESA, premere il tasto luce.

## 5. UTILIZZO

### 5.1 Utilizzo giornaliero



Questo dispositivo deve essere usato esclusivamente per la conservazione del vino.



Il vano di conservazione vino è quello contrassegnato (sulla targhetta) con



#### Pulizia

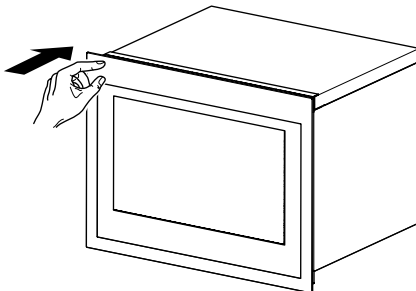
Prima di usare il dispositivo per la prima volta, lavare la superficie interna e tutti gli accessori interni con acqua tiepida e un po' di sapone neutro al fine di rimuovere il tipico odore dei prodotti nuovi, quindi asciugare bene.

- L'apertura dello sportello per lunghi periodi di tempo può causare un aumento significativo della temperatura nei vani del dispositivo.
- Pulire regolarmente le superfici che possono entrare a contatto con cibo e sistemi di drenaggio accessibili.
- Conservare la carne e il pesce crudi nella cantina per vino all'interno di contenitori idonei, in modo che non vengano a contatto con altri cibi o sgocciolino su di essi.
- Se il dispositivo refrigerante viene lasciato vuoto per lunghi periodi di tempo, spegnere, scongelare, pulire, asciugare e lasciare aperto lo sportello per evitare che si sviluppino muffe all'interno del dispositivo.

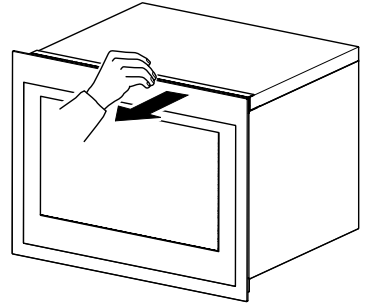
### 5.2 Apertura porta

Per aprire la porta:

- spingere il lato sinistro della porta



- oppure tirarlo



### 5.3 Primo utilizzo



Prima di utilizzare il dispositivo per la prima volta, pulire l'interno e tutti gli accessori interni con acqua tiepida e un po' di sapone neutro, quindi asciugare completamente.



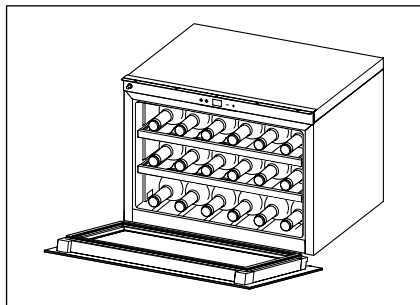
Non utilizzare detersivi o polveri abrasive, poiché possono danneggiare le rifiniture.

Per accendere il dispositivo, premere il tasto ON/OFF e regolare la temperatura in base al vino da conservare.

### 5.4 Funzione memoria temperatura

Il caso di interruzione di corrente, la cantina per vino può ricordare l'impostazione di temperatura precedente e, quando la corrente viene ripristinata, la temperatura torna a quella originale.

## 5.5 Conservazione del vino



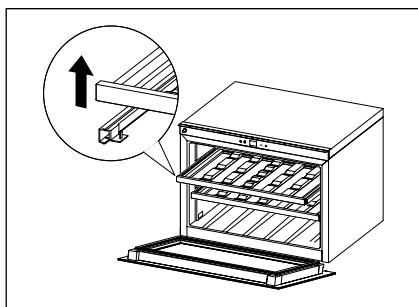
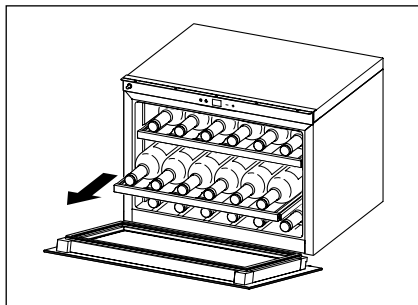
(per bottiglie di Bordeaux da 750 ml)

Totale: 18 bottiglie

Il tempo di conservazione del vino dipende dall'invecchiamento, dal tipo di uve, dal contenuto alcolico e dal livello di fruttosio e di tannino contenuti. Al momento dell'acquisto, verificare se il vino è già invecchiato o se migliora con il tempo. Temperatura di conservazione consigliata:

- Champagne/Prosecco e vini frizzanti: da +6 a +8 °C
- Vini bianchi: da +10 a +12 °C
- Vini rosé: da +12 a +16 °C
- Vini rossi: da +14 a +18 °C

## 5.6 Ripiani per il vino



- Per accedere facilmente alle bottiglie, estrarre i ripiani dal vano.

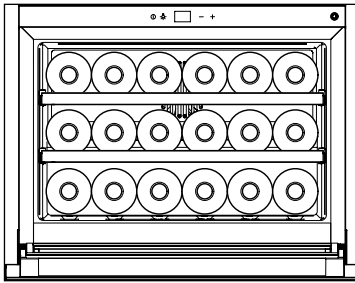


Per evitare di danneggiare la porta, verificare che sia completamente aperta quando si estraggono i ripiani.

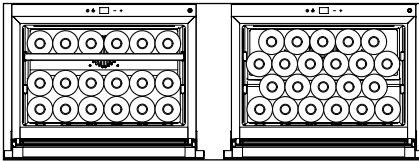
- Per rimuovere o montare i ripiani in legno, sollevare o spingere il ripiano.

- Configurazione standard

Per conservare fino a 18 bottiglie di Bordeaux, posizionare 6 bottiglie su ogni livello.



Il primo livello è stato progettato per ospitare le bottiglie più grandi e alte.



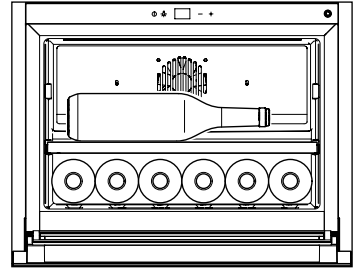
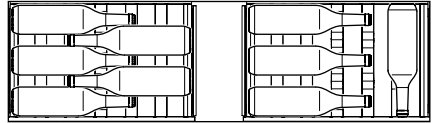
Adatta per bottiglie grandi e alte.

Rimuovendo i ripiani, è possibile aumentare la capacità, come mostrato nelle figure.



**AVVERTENZA!** In questo caso verificare che le bottiglie non siano a contatto con la parete posteriore della cavità.

- Configurazione orizzontale



Per conservare facilmente bottiglie grandi e alte nel secondo ripiano, è possibile rimuovere il ripiano superiore, come mostrato nella figura.

## 6. SUGGERIMENTI E CONSIGLI

### Normali rumori di funzionamento

I seguenti rumori sono normali durante il funzionamento:

- Un leggero gorgoglio nelle serpentine quando viene pompato il refrigerante.
- Un ronzio e un rumore pulsante dal compressore quando viene pompato il refrigerante.
- Un rumore di rottura improvvisa dall'interno del dispositivo causato dalla dilatazione termica (un fenomeno fisico naturale e non pericoloso).

- Un leggero clic dal regolatore di temperatura quando il compressore si accende o si spegne.

### Suggerimenti per il risparmio energetico

- Non aprire frequentemente lo sportello né lasciarlo aperto più di quanto assolutamente necessario.

## 7. INSTALLAZIONE

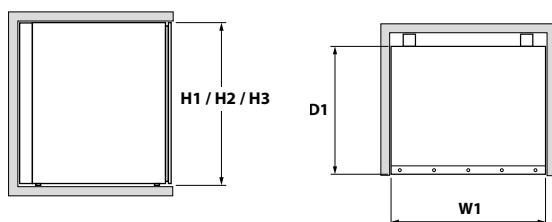
### 7.1 Posizionamento

Attorno al dispositivo deve essere presente un'adeguata ventilazione d'aria, al fine di evitare il surriscaldamento. Per ottenere una ventilazione sufficiente, seguire le istruzioni di installazione.

Installare questo dispositivo in una posizione in cui la temperatura ambiente corrisponde alla classe climatica indicata sulla targhetta del dispositivo:

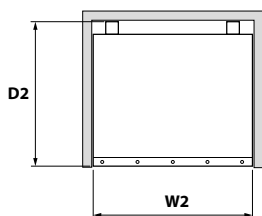
Classe climatica	Temperatura ambiente
SN	da +10 °C a +32 °C
N	da +16 °C a +32 °C
ST	da +16 °C a +38 °C
T	da +16 °C a +43 °C

Dimensioni complessive



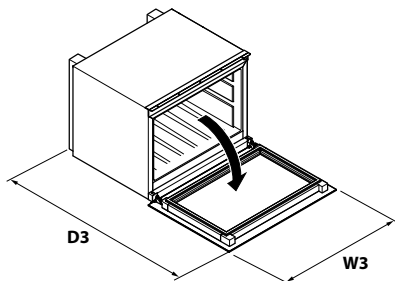
Dimensioni complessive	H1	455
	W1	596
	D1	566

Spazio necessario per l'uso



Spazio necessario per l'uso	H2	455
	W2	596
	D2	571

Spazio generale necessario per l'uso



Spazio generale necessario per l'uso	H3	455
	W3	596
	D3	1026

## 8. CURA E MANUTENZIONE



**ATTENZIONE!** Prima di eseguire qualunque operazione di manutenzione, scollegare il dispositivo.



Questo dispositivo contiene idrocarburi nella sua unità di raffreddamento; pertanto, la manutenzione e la ricarica devono essere eseguite da tecnici autorizzati.

### 8.1 Pulizia periodica

Il dispositivo deve essere pulito regolarmente.



Non tirare, spostare o danneggiare i tubi e/o i cavi all'interno dell'unità

Per pulire l'interno non usare mai detersivi, polveri abrasive, prodotti di pulizia particolarmente profumati o cere lucidanti, poiché danneggerebbero le superfici e lascerebbero un forte odore.

- Pulire le superfici interne con una soluzione di acqua tiepida e bicarbonato di sodio. La soluzione deve essere composta da circa 2 cucchiaini di bicarbonato di sodio per ogni litro di acqua.
- Pulire i ripiani con un soluzione detergente delicata.
- Eliminare l'acqua in eccesso dalla spugna o dal panno quando si pulisce l'area dei comandi o qualunque parte elettrica.

- Pulire l'interno e gli accessori con acqua tiepida e un po' di sapone neutro.
- Controllare e pulire regolarmente le guarnizioni della porta, per garantire che siano pulite e prive di residui.
- Risciacquare e asciugare completamente.

### 8.2 Periodi di non funzionamento

Quando il dispositivo non viene utilizzato per lunghi periodi, rispettare le seguenti precauzioni:

- Scollegare il dispositivo dall'alimentazione.
- Rimuovere tutti gli elementi.
- Pulire il dispositivo e tutti gli accessori.
- Lasciare aperta la porta per evitare odori sgradevoli.

## 9. GUIDA PER LA RISOLUZIONE DEI PROBLEMI

È possibile risolvere facilmente molti problemi comuni della cantina, risparmiando il costo di una chiamata per l'assistenza tecnica. Provare i seguenti suggerimenti.

<b>Problema</b>	<b>Possibile causa</b>	<b>Soluzione</b>
La cantina per vino non funziona.	<ul style="list-style-type: none"> <li>• Cavo di alimentazione non collegato.</li> <li>• Il dispositivo è spento.</li> <li>• È scattato l'interruttore.</li> <li>• È attiva la modalità demo.</li> </ul>	<ul style="list-style-type: none"> <li>• Collegare il dispositivo.</li> <li>• Accendere il dispositivo.</li> <li>• Accendere l'interruttore.</li> <li>• Disattivare la modalità demo (premere +/- per 3 sec.).</li> </ul>
La cantina per vino non è abbastanza fredda.	<ul style="list-style-type: none"> <li>• Controllare l'impostazione di controllo temperatura.</li> <li>• La porta non è chiusa completamente.</li> <li>• La guarnizione della porta non sigilla correttamente.</li> </ul>	<ul style="list-style-type: none"> <li>• Verificare la temperatura impostata.</li> <li>• Verificare che la porta sia chiusa.</li> <li>• Pulire la guarnizione della porta con una spugna inumidita con detergente neutro e acqua.</li> </ul>
Il compressore è sempre in funzione.	<ul style="list-style-type: none"> <li>• La temperatura ambiente è più calda del solito.</li> <li>• La porta viene aperta troppo spesso.</li> <li>• La porta non è chiusa completamente.</li> <li>• La guarnizione della porta non sigilla correttamente.</li> </ul>	<ul style="list-style-type: none"> <li>• Verificare la temperatura ambiente.</li> <li>• Non tenere aperto la porta più del necessario.</li> <li>• Verificare che la porta sia completamente chiusa.</li> <li>• Verificare la condizione della guarnizione e, se necessario, pulirla con una spugna inumidita con detergente neutro e acqua.</li> </ul>
La luce non funziona.	<ul style="list-style-type: none"> <li>• Cavo di alimentazione non collegato.</li> <li>• È scattato l'interruttore.</li> <li>• Il LED si è bruciato.</li> <li>• Il pulsante della luce non funziona.</li> </ul>	<ul style="list-style-type: none"> <li>• Collegare il dispositivo.</li> <li>• Accendere l'interruttore.</li> <li>• Contattare l'assistenza.</li> <li>• Contattare l'assistenza.</li> </ul>
Vibrazione eccessiva.	<ul style="list-style-type: none"> <li>• Controllare che la cantina per vino sia perfettamente orizzontale.</li> </ul>	<ul style="list-style-type: none"> <li>• Mettere il dispositivo perfettamente orizzontale.</li> </ul>
Rumore eccessivo.	<ul style="list-style-type: none"> <li>• Il rumore meccanico potrebbe derivare dal flusso del refrigerante; è una condizione normale.</li> <li>• La contrazione e l'espansione delle pareti interne possono causare rumori di botti e scricchiolii.</li> <li>• La cantina per vino non è perfettamente orizzontale.</li> <li>• La ventola è sporca.</li> </ul>	<ul style="list-style-type: none"> <li>• Mettere il dispositivo perfettamente orizzontale.</li> <li>• Rimuovere la polvere dalla ventola.</li> <li>• Se i rumori aumentano, contattare l'assistenza.</li> </ul>
La porta non è chiusa correttamente.	<ul style="list-style-type: none"> <li>• La cantina per vino non è perfettamente orizzontale.</li> <li>• La porta non è stata fissata correttamente.</li> <li>• La guarnizione è sporca.</li> </ul>	<ul style="list-style-type: none"> <li>• Mettere il dispositivo perfettamente orizzontale.</li> <li>• Verificare che la porta sia chiusa.</li> <li>• Pulire la guarnizione della porta con una spugna inumidita con detergente neutro e acqua.</li> </ul>
Allarme acustico.	<ul style="list-style-type: none"> <li>• La porta non è chiusa (l'allarme dura 30 min).</li> </ul>	<ul style="list-style-type: none"> <li>• Chiudere la porta.</li> </ul>
È visualizzato E3.	<ul style="list-style-type: none"> <li>• La porta è stata lasciata aperta per più di 30 min.</li> <li>• Il sensore porta è rotto.</li> </ul>	<ul style="list-style-type: none"> <li>• Chiudere la porta.</li> <li>• Contattare l'assistenza.</li> </ul>
È visualizzato E1 e viene emesso un allarme acustico ogni 5 minuti.	<ul style="list-style-type: none"> <li>• La temperatura interna della cantina per vino non rientra nell'intervallo compreso tra -20 °C e +60 °C.</li> <li>• Il sensore di temperatura è fuori uso o scollegato.</li> </ul>	<ul style="list-style-type: none"> <li>• Verificare che i dispositivi vicini non emettano calore.</li> <li>• Contattare l'assistenza.</li> </ul>
È visualizzato E2.	<ul style="list-style-type: none"> <li>• I dispositivi più vicini emettono calore.</li> <li>• La temperatura ambiente non rientra nel range della classe climatica del prodotto.</li> <li>• Il compressore o la ventola sono fuori uso.</li> </ul>	<ul style="list-style-type: none"> <li>• Verificare che i dispositivi vicini non emettano calore.</li> <li>• Verificare se il prodotto è installato in una posizione con una temperatura ambiente che rientra nella classe climatica dichiarata del prodotto.</li> <li>• Contattare l'assistenza.</li> </ul>



## 10. INFORMAZIONI TECNICHE

### Dati tecnici

Le informazioni tecniche sono riportate nella targhetta sul lato interno del dispositivo e sull'etichetta della classe energetica.

Il QR code riportato sull'etichetta della classe energetica fornito con il dispositivo fornisce un link web alle informazioni correlate alle prestazioni del dispositivo nel database EU EPREL. Conservare l'etichetta della classe energetica per riferimenti insieme al manuale utente e a tutti gli altri documenti forniti con questo

dispositivo.

È possibile anche trovare le stesse informazioni in EPREL sul sito <https://eprel.ec.europa.eu> e tramite il nome modello e il numero di prodotto riportato sulla targhetta del dispositivo. Vedere il sito [www.theenergylabel.eu](http://www.theenergylabel.eu) per informazioni dettagliate sull'etichetta della classe energetica.

Le informazioni tecniche sono riportate sulla targhetta, sul lato esterno o interno del dispositivo e nell'etichetta della classe energetica.


## 11. INFORMAZIONI PER GLI ISTITUTI DI VERIFICA

L'installazione e la preparazione del dispositivo per qualsiasi verifica EcoDesign devono essere conformi alla norma EN 62552.

I requisiti di ventilazione, le dimensioni del vano e lo spazio libero posteriore minimo devono rispettare le indicazioni del presente manuale utente riportate al capitolo 6. Contattare il produttore per qualsiasi ulteriore informazione, compresi i piani di carico.

## 12. PROBLEMI AMBIENTALI




Il simbolo  riportato sul prodotto o sulla sua confezione indica che questo prodotto non può essere trattato come un rifiuto domestico.

Deve essere invece portato al punto di raccolta appropriata per il riciclo di apparecchiature elettriche ed elettroniche.

Garantendo il corretto smaltimento di questo prodotto, si aiuterà a prevenire potenziali conseguenze negative per l'ambiente e la salute dell'uomo, che potrebbero diversamente essere causate da una gestione inappropriata dei rifiuti di questo prodotto.

Per ulteriori informazioni dettagliate sul riciclo di questo prodotto, contattare il comune della zona, il servizio di smaltimento rifiuti domestici o il negozio dove è stato acquistato il prodotto.

### Materiali d'imballo

I materiali che riportano il simbolo  sono riciclabili. Smaltire il materiale di imballo nei contenitori di raccolta idonei al fine di riciclarlo.





[www.aeg.com/shop](http://www.aeg.com/shop)



111222333-A-362013

**AEG**